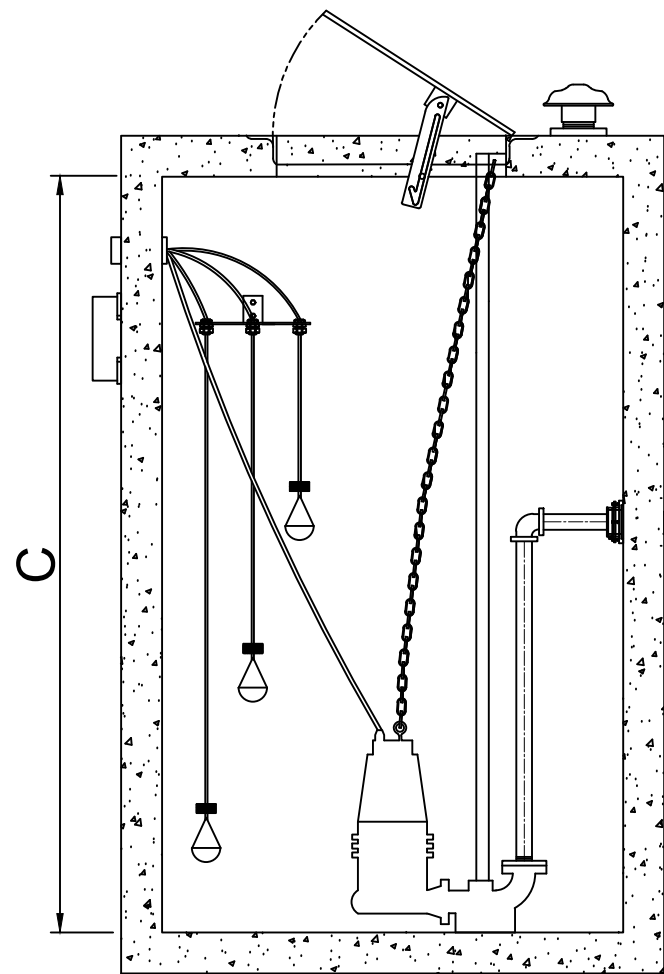
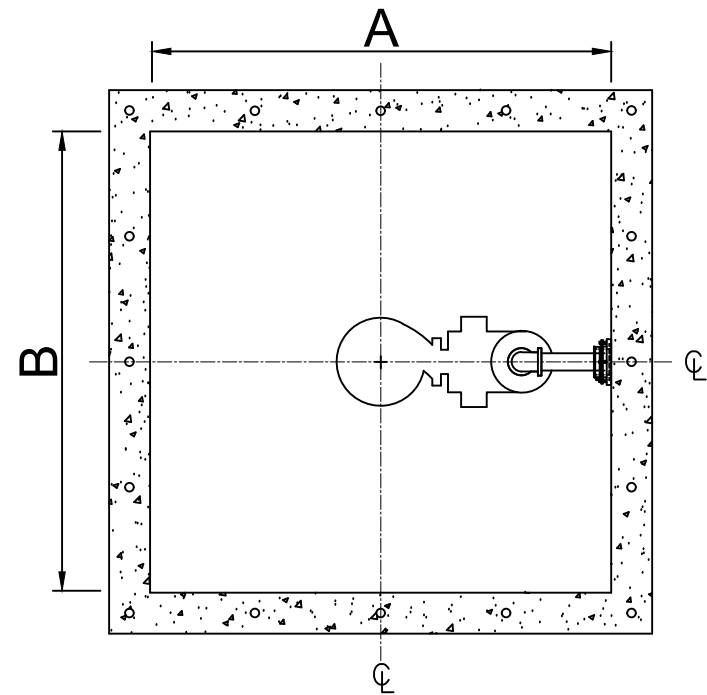
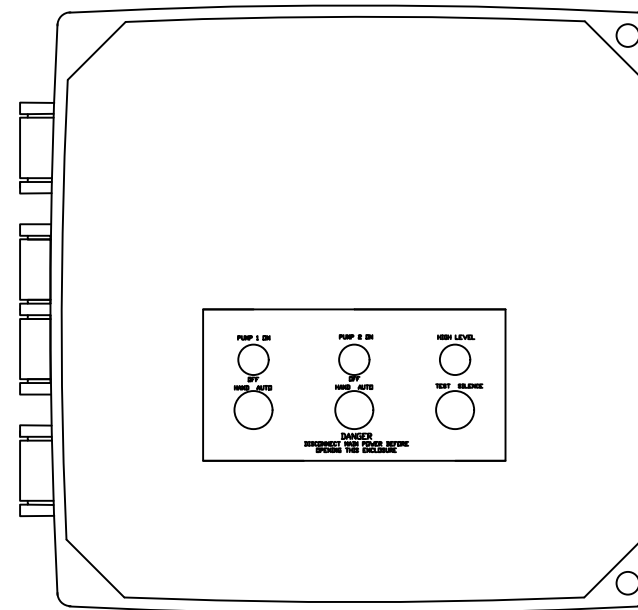


BASIN DETAILS



CONTROL PANEL



Standard components:

- 1- 16 x 14 x 7 NEMA 4X polycarbonate enclosure.
- 2- IEC motor contactor.
- 3- MCC B for short circuit.
- 4- Alternator.
- 5- Green Pump run indicator lights.
- 6- Alarm/Control CB.
- 7- Float switch terminal block angled for ease of field installation.
- 8- Input power terminal block angled for ease of field installation.
- 9- Ground lugs.
- 10- HOA (Hand/Off/Auto) switches.

Standard Alarm Package:

- 11- High alarm relay for dry contacts.
- 12- Indicator light for visual check.
- 13- Sonalert audible alarm.
- 14- Exterior alarm test with silence.
- 15- Horn silence relay.

GENERAL NOTES

BASIN LENGHT (A)	
BASIN WIDTH (B)	
BASIN DEPTH (C)	
PHASE	
VOLTAGE	
PUMP	
FLOW (GPM)	
TDH (FEET)	
HP	
RPM	
DISCHARGE	

NOTES:

PLEASE CONTACT:
BOESCH PUMPS LLC
ART CHIBLI
(305) 999-1769
Email: sales@boeschpumps.com

SIMPLEX EJECTOR SYSTEM SQUARE CONCRETE BASIN

Revision notes:

Rev:	Date:	Notes:
A		PROYECT

Drawn by:

A. GONZALEZ

Project:

Client:

Drawing Title:

EJECTOR SYSTEM

Date:

Scale @ A3:

Revision:

A

