



www.BoeschPumps.com

SUBMERSIBLE SEWAGE PUMP

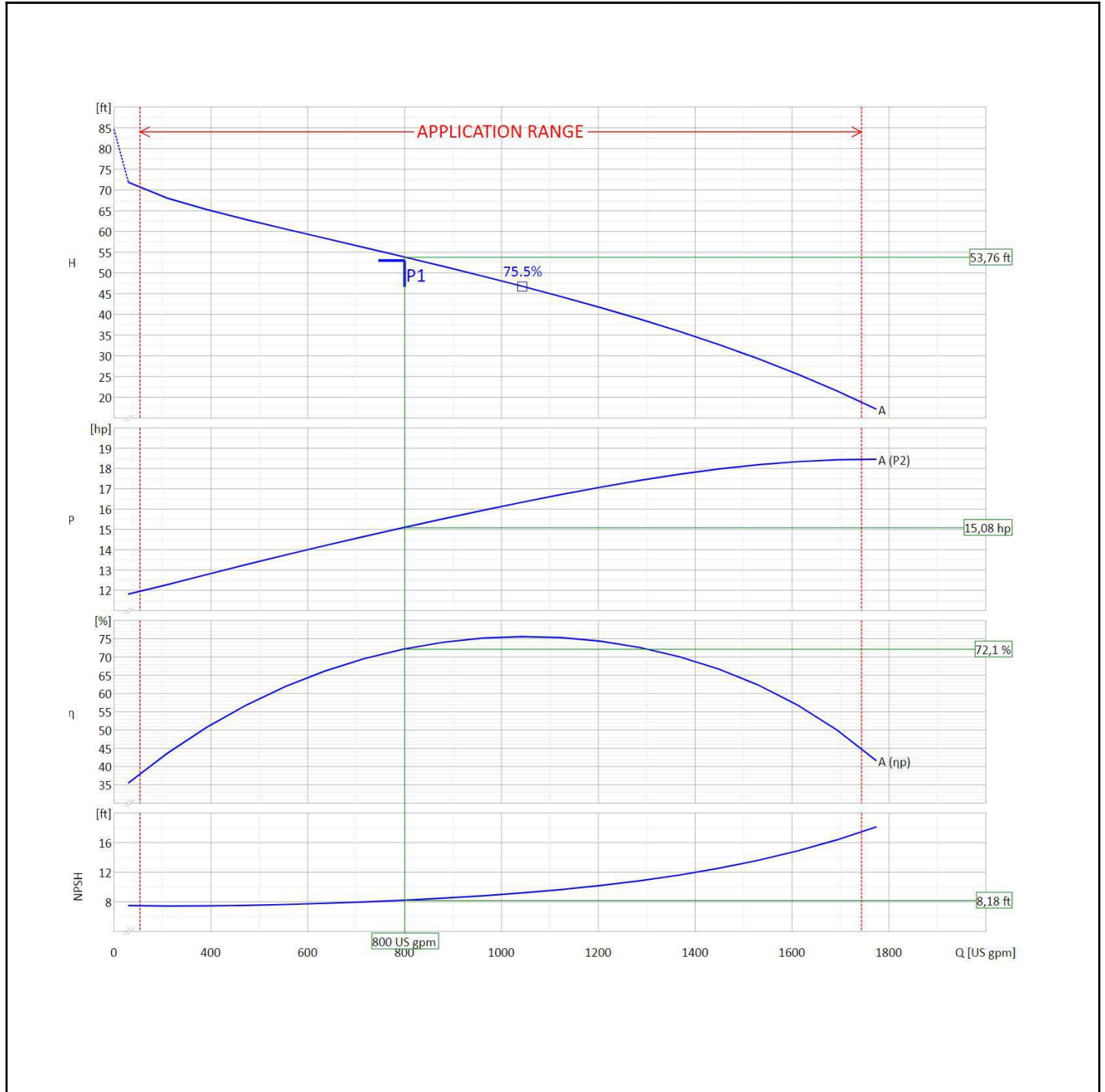
BSM SERIES

60 HZ



BOESCH PUMPS INC
Art Chibli
(305) 999-1769
achibli@boeschpumps.com
14031 SW 143rd Court Miami, FL 33186

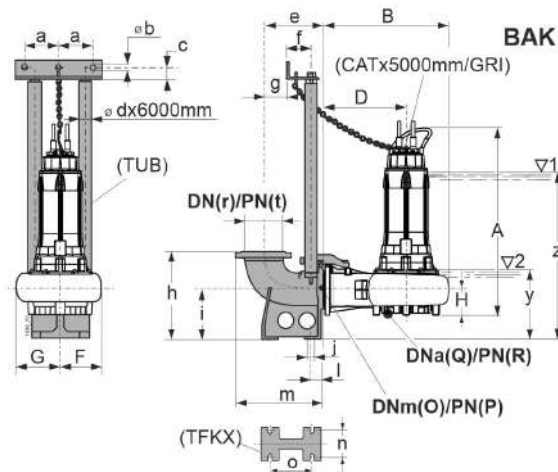
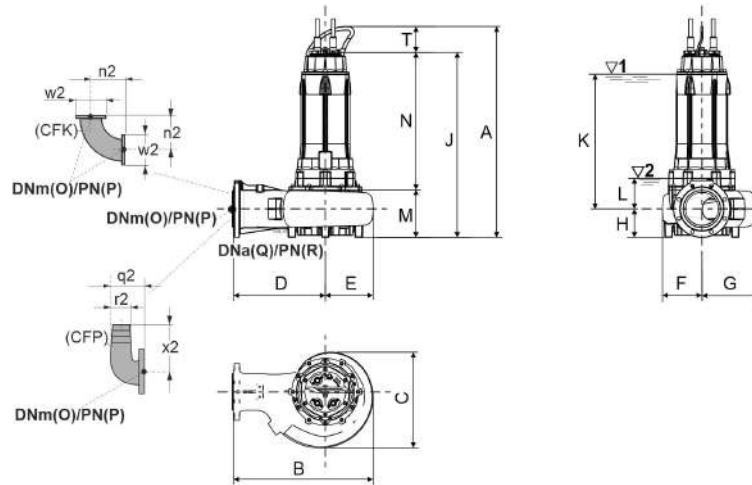
Voltage	460	V	Frequency	60	Hz	Flow rate	800 US	Head requ.	53 ft
Motor	20	hp	No. poles	6		Model	BSM150NA+015062N3/E		



OPERATING DATA- ISO 9906:2012 3B -

Q [US gpm]	H [ft]	P [hp]	η [%]	NPSH [ft]	Speed [rpm]
800	53.76	15.08	72.1	8.18	1185

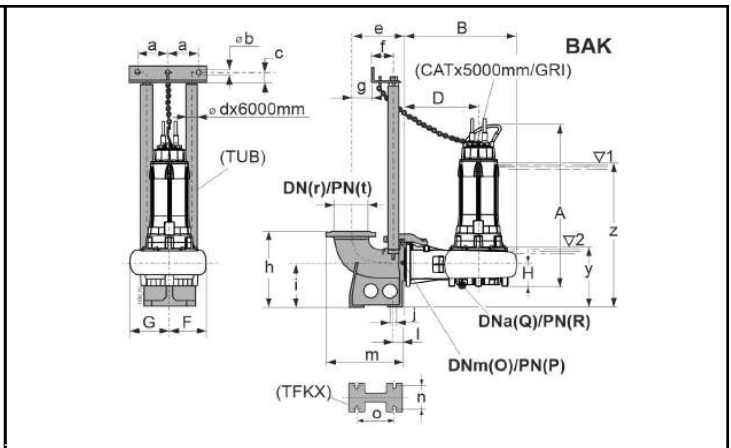
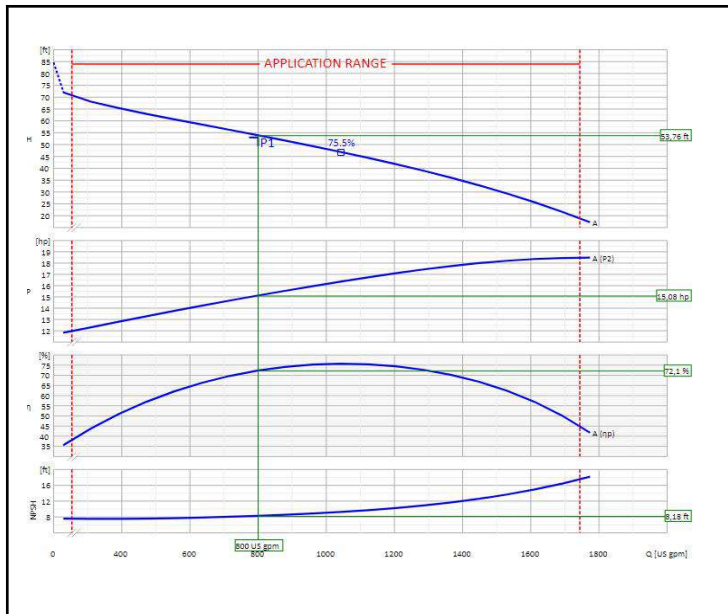
Voltage	460	V	Frequency	60	Hz	Flow rate	800 US	Head	53 ft
Power	20	hp	No. poles		6	Model	BSM150NA+015062N3/E		



Dimensions [inch]

a	6.2	K	31.3	x2	15
A	48.8	l	3.1	y	18.3
b	0.5	L	6.9	z	42.7
B	25.9	m	21.9		
c	1.4	M	10.4		
C	20	n	8.3		
d	3"	N	32.3		
D	15.9	n2	15.6		
e	15.2	o	11		
E	10	O	5.9		
f	4.6	P	0.6		
F	9	Q	5.9		
g	7.1	q2	12.4		
G	10.9	r	7.9		
h	21.3	R	0.6		
H	6.3	r2	5.9		
i	11.4	t	0.4		
j	0.9	T	6.1		
J	42.7	w2	11.2		

Customer:		Ref.:	
Item	1	Quantity	1
Type	SUBMERSIBLE ELECTRIC PUMP FOR WASTE WATER		Model
Required flow rate		800 US gpm	Required head
			53 ft
		BSM150NA+015062N3/E	



Dimensioni [mm]							
a	6.2	f	4.6	i	3.1	R	0.6
A	48.8	F	9	m	21.9	t	0.4
b	0.5	g	7.1	n	8.3	y	18.3
B	25.9	G	10.9	o	11	z	42.7
c	1.4	h	21.3	O	5.9		
d	3"	H	6.3	P	0.6		
D	15.9	i	11.4	Q	5.9		
e	15.2	j	0.9	r	7.9		

OPERATING DATA- ISO 9906:2012 3B -					CONSTRUCTION CHARACTERISTICS				
Q [US gpm]	H [ft]	P [hp]	η [%]	NPSH [ft]	Delivery diameter	5.91			inch
800	53.76	15.08	72.1	8.18	Type of Impeller	Single channel			
					Moment of inertia	0.66876 Kgm ²			
					Electric pump weight	397.85	88	Kg	
					Seal on pump side	Mechanical		Mechanical	
					Type of installation	Vertical		BAKM/ 3"	
					Operation	Continuous (S1)			

OPERATING LIMITS			OPERATING CHARACTERISTICS		
Pumped liquid	Waste water		Service flow rate	805	US gpm
Max. temperature of pumped liquid	40	°C	Service head	53.7	ft
Maximum density	62.427962	lb/ft ³	H (Q=0)	84.6	70.7
Maximum viscosity	1.08E-05	ft ² /s	Hmax (Qmin)		
Max. solid content	4	%	Qmin	253.6	1743.5
Max. number of starts/hr	10		Qmax		
Free passage	4.53	inch	Power consumption at duty point	15.1	
Minimum immersion depth	31.3	inch	Max power consumption	18.4	
			Pump efficiency	72.21	62.84
			Overall		
			Sense of rotation (*)	Clockwise	
			Number of pumps installed	Operating	Stand-by
				1	0

ELECTRIC PUMP MATERIALS		ELECTRIC MOTOR CHARACTERISTICS		
Delivery body	Cast iron	Nominal power	20	hp
Impeller	Cast iron	Rated frequency	60	Hz
Ring impeller seat	Steel/Rubber	Rated voltage	460	V
Conductivity probe	-	Rated current	29.5	A
Mechanical seal on pump side	Silicon carbide/silicon carbide	No. Poles	6	1185
Flange for mechanical seal	Nodular cast iron	Rotation speed	rpm	
Support bearing	Nodular cast iron	Type of motor	3 ~	
Oil box	Cast iron	Efficiency 4/4-3/4-2/4 (**)	90-89.2-88.6 %	
Cable clamp	Stainless steel	Power factor 4/4-3/4-2/4	0.71-0.61-0.475	
Motor casing	Cast iron	Is/In	6.3	-
Stator	Electrical steel	Ts/Tn		
Complete shaft with rotor	Stainless steel/Magnetic steel	Thermal protection	Klixon	
Oil centrifuge	Technopolymer	Insulation class	H	
Mechanical seal on motor side	Silicon carbide/silicon carbide	Protection class	IP68	
Round power cable	-	Explosion-proof	n.a.	
Round auxiliary cable	-	Power supply cable	Length	NSSHOU-J 0.39 m
Head cover	Cast iron	Efficiency class	S.F.	IE3 1.15

ADF - MODELS AND DIMENSIONS

**

Codice	TIPO	DN Pompa	DN Piede	∅ Tubo Guida	A	∅ B	Peso Kg
840936	ADF 65	65	65	2"	205	185	9.2
840933	ADF 80/80-100	80	80/100	2"	205	200	9.6
840948	ADF100/80	100	80	2"	205	220	10.8
840934	ADF 100	100	100	2"	205	220	10.3
840935	ADF 150	150	150	2"	205	285	13.4
840029	ADF 150 3"	150	150	3"	215	285	15
840949	ADF 200	200	200	3"	217	340	24
841000	ADF200/250	200	250	3"	217	395	30
841001	ADF 250	250	250	3"	217	395	27
841007	ADF 300	300	300	3"	220	445	36
841008	ADF350/300	350	300	3"	220	505	44