

MOTOR / PUMP SPECIFICATIONS

	ITEM	DESCRIPTION
LIMITS	Liquid Temp	0~40°C
	Application	Commercial / Industrial / Municipal use
TYPE	Frequency	60Hz
	Motor	2P (3450RPM) Dry Motor
	Insulation	Class B
	Start Method	Direct On Line
	Protection	IP 68
	Protector	Auto-Cut
	Bearing	Ball Type
	Mech. Seal	Dual. Mechanical Seal
	Impeller	Semi-Open Impeller
	MATERIAL	Motor Cover
Motor Housing+Stator		ASTM A48 Class 30
Shaft with Rotor		AISI 410
Mech. Seal		Upper: CA/CE; Lower: SIC/SIC
Pump Casing		ASTM A48 Class 30
Impeller		ASTM A48 Class 30
Cable		H07RN-F / SJTOW / STOW



MOTOR / PUMP DATA CHART

MODEL	OUTPUT		DISCHARGE	PHASE	1Ø			WEIGHT W/O CABLE
	HP	KW	INCHES	VOLTAGE	115V	208V	230V	LBS
BG150/1	1.5	1.1	1-1/4"	FULL LOAD AMPS	-	8.6A	7.8A	65
BG200/1	2	1.5	1-1/4"		-	12.2A	11A	71

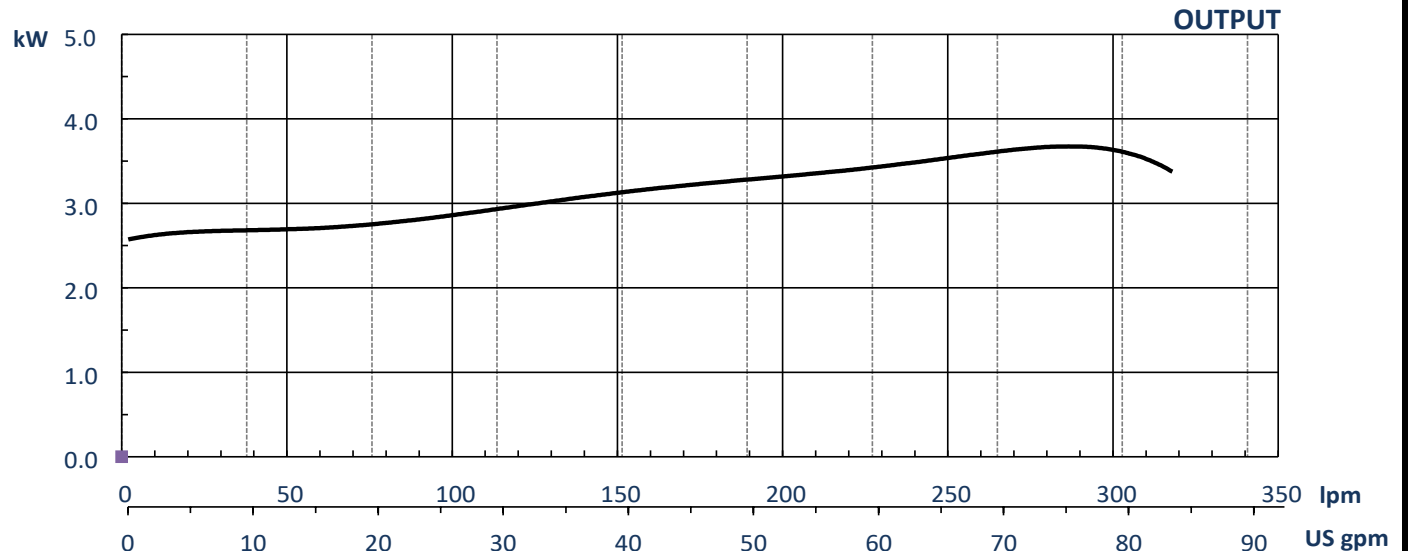
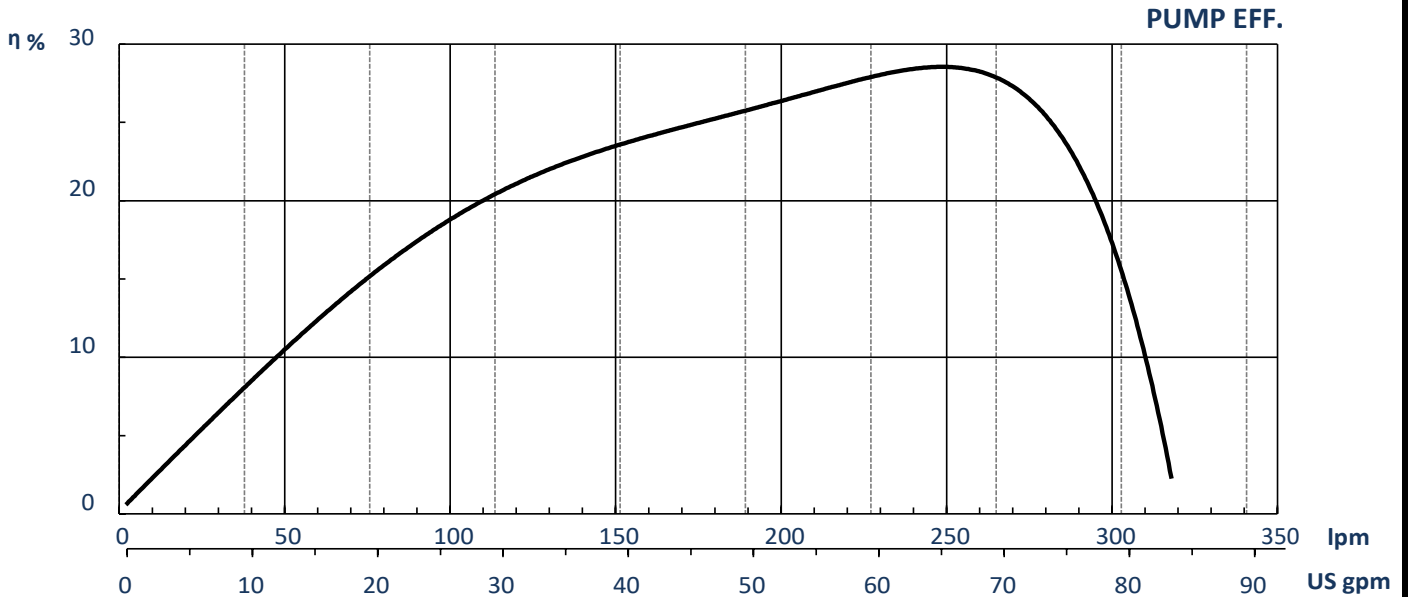
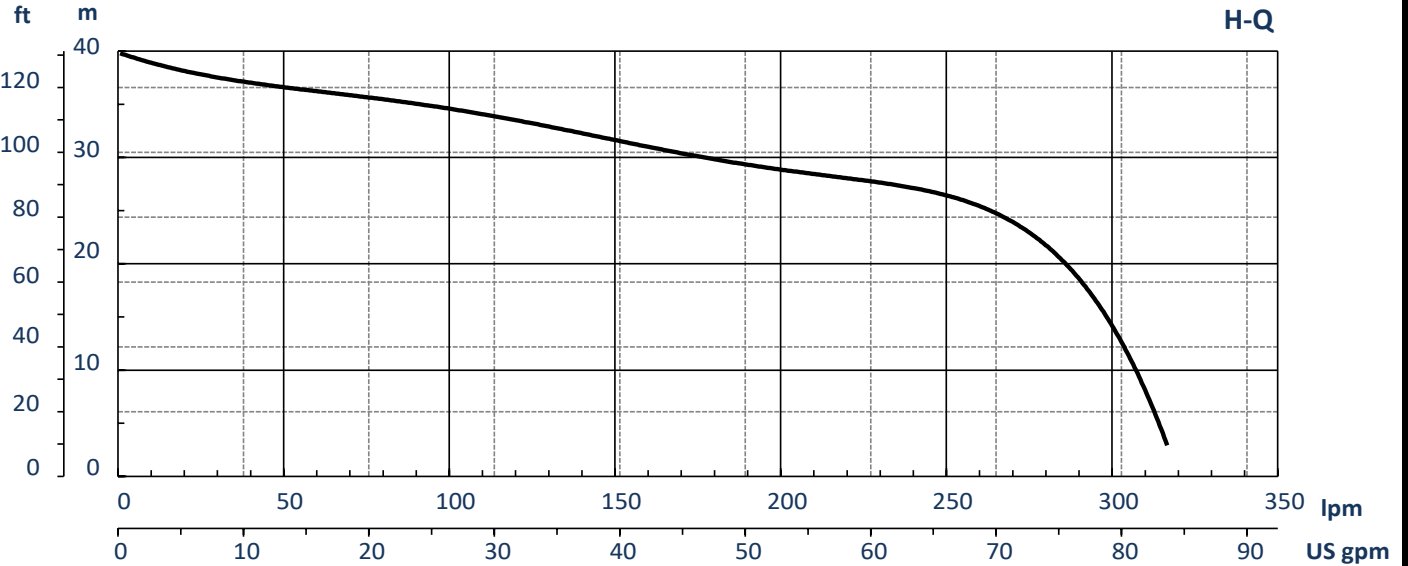
MODEL	OUTPUT		DISCHARGE	PHASE	3Ø			WEIGHT W/O CABLE
	HP	KW	INCHES	VOLTAGE	208V	230V	460V	LBS
BG150/3	1.5	1.1	1-1/4"	FULL LOAD AMPS	6.6A	6A	3A	65
BG200/3	2	1.5	1-1/4"		8.8A	8A	4A	71
BG300/3	3	2.2	1-1/4"		9.5A	8.6A	4.3A	74
BG500/3	5	3.7	2"		16.4A	14.8A	7.4A	91
BG750/3	7.5	5.5	2"		24.5A	22.2A	11.1A	102

MOTOR / PUMP CONSTRUCTION MATERIAL

PART	MATERIAL	PART	MATERIAL
Cable	H07RN-F/STJOW/STOW	Mechanical Seal	Upper: CA / CE
Handle	ASTM A36	Mechanical Seal	Lower: SIC / SIC
Motor Cover	ASTM A48 Class 30	Seal Housing	ASTM A48 Class 30
Bracket	ASTM A48 Class 30	Impeller	ASTM A48 Class 30
Motor Housing + Stator	ASTM A48 Class 30	Pump Casing	ASTM A48 Class 30
Shaft with Rotor	AISI 410	Upper/Lower Bearing	NTN/TPI
Oil Chamber	ASTM A48 Class 30	Run Capacitor	1 Phase only
Centrifugal Switch	1 Phase only	Start Capacitor	1 Phase only
Cutter Set	AISI 440C		

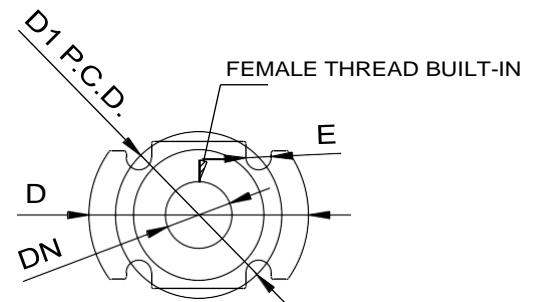
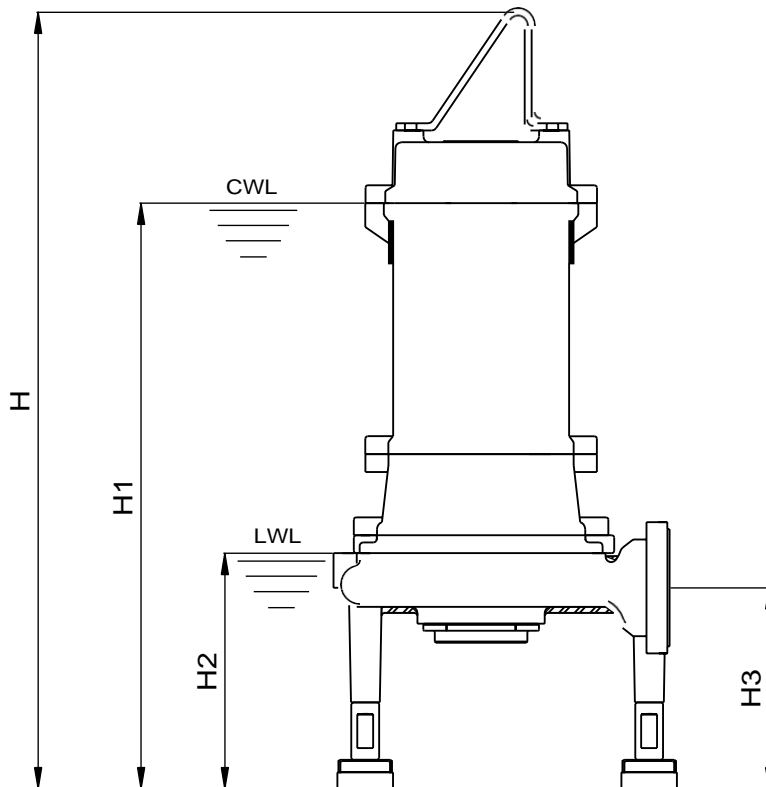
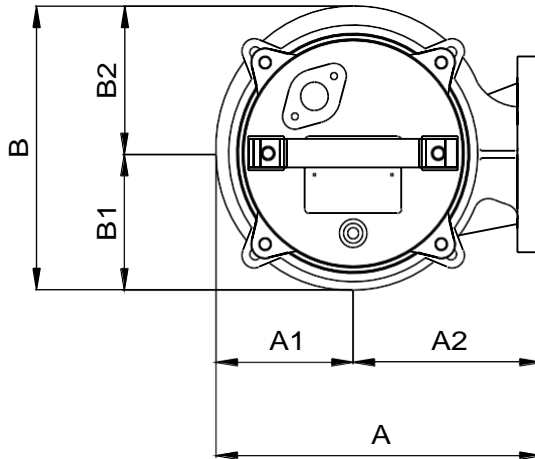
PUMP PERFORMANCE REPORT

MODEL	BG500		RATED
FREQUENCY	60 HZ	HEAD	90 ft / 27.4 m
DISCHARGE	2 inches / 50 mm	CAPACITY	60 gpm / 227 lpm
OUTPUT	5 hp / 3.7 kW	POLE / RPM	2 poles / 3450 rpm



DIMENSIONAL DRAWING

MODELS: BG500 – BG750 (5~7.5HP)



MODEL	A	A1	A2	B	B1	B2	D	D1	DN	E	H	H1	H2	H3	WT
BG500	11.14	4.69	6.46	9.41	4.49	4.92	6.50	4.92	2	0.75	26.34	20.04	7.32	5.94	90.6
BG750	11.14	4.69	6.46	9.41	4.49	4.92	6.50	4.92	2	0.75	27.91	21.61	7.32	5.94	101.6

CWL: CONTINUOUS RUNNING WATER LEVEL
LWL: LOWEST RUNNING WATER LEVEL
WT: WEIGHT WITHOUT CABLE

DIMENSIONS: INCHES
WEIGHT: LBS
PIPE CONNECTION TYPE: NPT