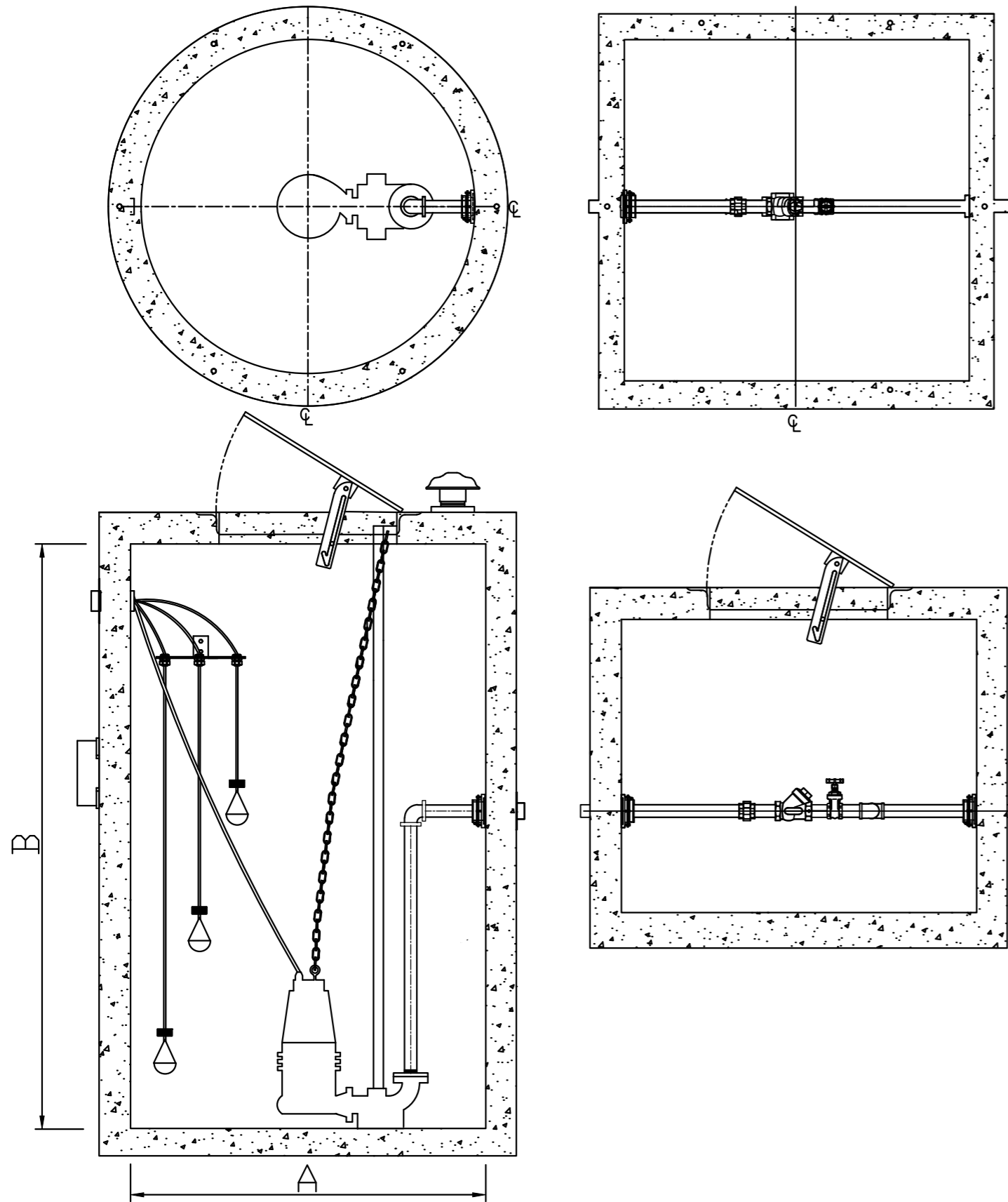
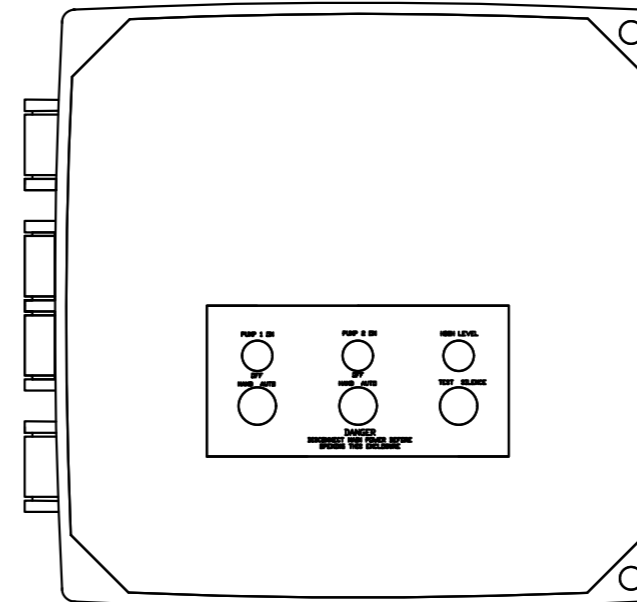


BASIN DETAILS



CONTROL PANEL



Standard components:

- 1- 16 x 14 x 7 NEMA 4X polycarbonate enclosure.
- 2- IEC motor contactor.
- 3- MCC B for shorcut.
- 4- Alternator.
- 5- Green Pump run indicator lights.
- 6- Alarm/Control CB.
- 7- Float switch terminal block angled for ease of field installation.
- 8- Input power terminal block angled for ease of field installation.
- 9- Ground lugs.
- 10- HOA(Hand/Off/Auto) switches.

Standard Alarm Package:

- 11- High alarm relay for dry contacts.
- 12- Indicator light for visual check.
- 13- Sonalert audible alarm.
- 14- Exterior alarm test with silence.
- 15- Horn silence relay.

GENERAL NOTES

BASIN DIAMETER (A)	
BASIN DEPTH (B)	
PHASE	
VOLTAGE	
PUMP MODEL	
FLOW (GPM)	
TDH (FEET)	
HP	
RPM	
DISCHARGE	
VALVEBOX DIMS	36" X 40" X 40"

NOTES:

PLEASE CONTACT:
BOESCH PUMPS LLC
Art Chibli
(305) 999-1769
sales@boeschpumps.com
BoeschPumps.com

SIMPLEX EJECTOR WITH VALVEBOX
CONCRETE BASIN

Revision notes:

Rev:	Date:	Notes:
A	22/02/21	PROJECT

Drawn by:

C.Grajeda

Client:

Project:

WASTEWATER

Drawing Title:

SIMPLEX EJECTOR WITH VALVEBOX (CONCRETE)

Date:

22/02/21

Scale @ A3:

XXXX

Revision:

A