



www.BoeschPumps.com

HEAVY DUTY SUBMERSIBLE
DEWATERING PUMP (3-7.5 HP)

BDHD SERIES

60 HZ



BOESCH PUMPS INC
Art Chibli
(305) 999-1769
achibli@boeschpumps.com
14031 SW 143rd Court Miami, FL 33186



BDHD SERIES (3-7.5 HP)

HEAVY DUTY SUBMERSIBLE DEWATERING PUMP



High Chrome Steel
Semi-open Impeller



Agitator (Optional)
EN-GJS-500

Features

- Double mechanical seal SIC/SIC with SIC/SIC in oil bath
- Heavy-duty with drainage mode
- Protected with Yamada overload protector
- Top flange discharge with semi-circumferential cooling for continuous duty

Applications

- Lime slurries
- Mill scale
- Coal runoff sumps
- Wash down sumps
- Mining
- Tunneling
- Quarries

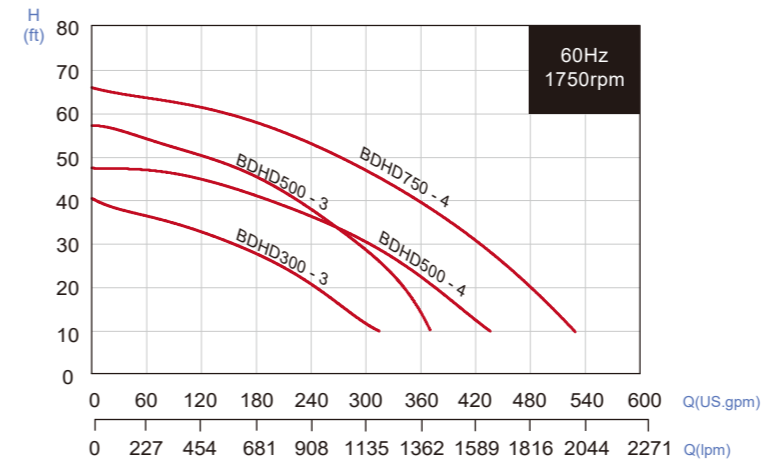
Specifications

	Liquid Temperature	0~40°C (32~104°F)
	Submersible depth	20M
Motor Part	Frequency	60Hz
	Pole	4 Pole
	Type	Dry Type
	Insulation	Class F
Pump Part	Protection	IP 68
	Protector	Auto-Cut
	Bearing	Ball Type
	Mechanical seal	Double Mechanical Seal
	Impeller	Semi-open Impeller

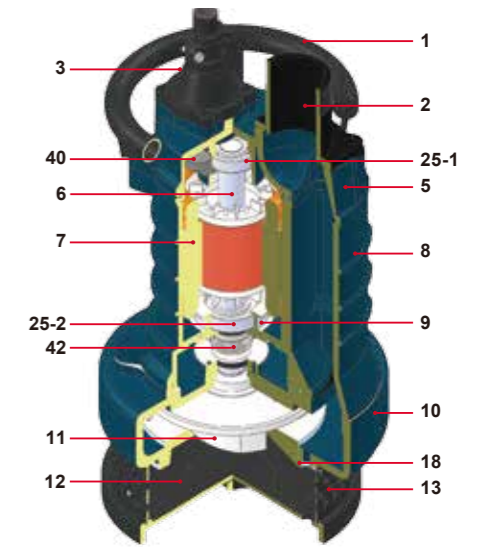
Data Chart

Type	Output		Discharge	F.L.A.		Rated		Maximum		Free Passage	Weight(W/O Cable)
	HP	kW		3ø 230V	3ø 460V	Head ft	Cap. GPM	Head ft	Cap. GPM		
BDHD300 - 3	3	2.2	3"	8.9A	4.4A	32.8	115	40.6	310	0.5	171.6
BDHD500 - 3	5	3.7	3"	16.6A	8.3A	49.2	130	57.4	365	0.5	224.4
BDHD500 - 4	5	3.7	4"	16.6A	8.3A	32.8	275	47.5	435	0.5	224.4
BDHD750 - 4	7.5	5.5	4"	23.6A	11.8A	49.2	275	65.6	528	0.5	231

Performance Curve



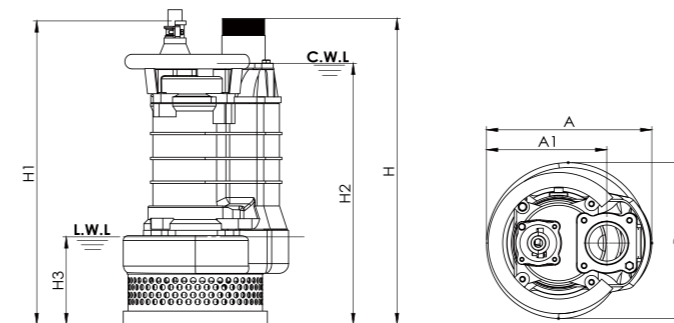
All technical information is subject to change without notice.



Parts and Material List

No.	Part	Material
1	Handle	SC
2	Discharge	SC
3	Gland Holder	ASTM A48 Class 30
5	Top Bracket	ASTM A48 Class 30
6	Shaft with Rotor	AISI 420
7	Stator	-
8	Motor Frame	ASTM A48 Class 35
9	Bearing Bracket	ASTM A48 Class 30
10	Pump Casing	ASTM A48 Class 35
11	Impeller	High Chrome Steel
12	Base Plate	ASTM A48 Class 30
13	Strainer	SC
18	Suction Plate	High Chrome Steel
25-1	Upper Bearing	NTN/TPI
25-2	Lower Bearing	NTN/TPI
40	Protector	YAMADA
42	Mechanical Seal	Upper:SIC/SIC ; Lower:SIC/SIC

TPI is a family brand of NTN group.



BDHD SERIES

Dimensions (mm)

Type	A	A1	B	H	H1	H2	H3
BDHD300 - 3	346	247	310	620	630	530	180
BDHD500 - 3	354	275	322	700	694	607	180
BDHD500 - 4	354	275	322	700	694	607	180
BDHD750 - 4	354	275	322	700	694	607	180