



www.BoeschPumps.com

LIGHTWEIGHT SUBMERSIBLE
DEWATERING PUMP

BDLW SERIES

60 HZ



BOESCH PUMPS INC
Art Chibli
(305) 999-1769
achibli@boeschpumps.com
14031 SW 143rd Court Miami, FL 33186

BDLW SERIES (10 - 20 HP)

LIGHTWEIGHT SUBMERSIBLE DEWATERING PUMP



High Chrome Steel Closed Impeller



Expelling solid design on the back of the impeller

Features

- Closed impeller design made of High Chrome Steel
- High resistance to abrasive liquids
- Stainless Steel outer casing & strainer
- EKK Eagle Burgmann double mechanical seal CA/CE & SIC/SIC
- Heat Treated Stainless Steel Shaft in AISI 410/420
- Efficient circumferential cooling for continuous duty

Applications

- Site drainage, mining, tunneling, public works, floods
- Cement industry, river intake, civil engineering projects

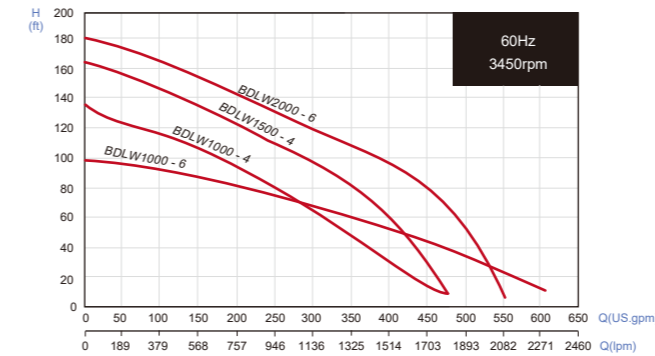
Specifications

| | | | |
|--------------------|-----------------|------------------------|--|
| Liquid Temperature | | 0~40°C (32~104°F) | |
| Submersible depth | | 20M | |
| Motor Part | Frequency | 60Hz | |
| | Pole | 2 Pole | |
| | Type | Dry Type | |
| | Insulation | Class F | |
| | Protection | IP 68 | |
| Pump Part | Protector | Auto-Cut | |
| | Bearing | Ball Type | |
| | Mechanical seal | Double Mechanical Seal | |
| Impeller | | Closed Impeller | |

Data Chart

| Type | Output | | Discharge | F.L.A. | | | Rated | | Maximum | | Free Passage | Weight(W/O Cable) |
|--------------|--------|-----|-----------|---------|---------|---------|---------|----------|---------|----------|--------------|-------------------|
| | HP | kW | | 1ø 230V | 3ø 230V | 3ø 460V | Head FT | Cap. GPM | Head FT | Cap. GPM | | |
| BDLW1000 - 4 | 10 | 7.5 | 4" | - | 36A | 18A | 78.7 | 250 | 134.5 | 475 | 10 | 69 |
| BDLW1000 - 6 | 10 | 7.5 | 6" | - | 36A | 18A | 55.7 | 380 | 98.4 | 605 | 10 | 70 |
| BDLW1500 - 4 | 15 | 11 | 4" | - | 50A | 25A | 115 | 235 | 164 | 475 | 10 | 104 |
| BDLW2000 - 6 | 20 | 15 | 6" | - | 52A | 26A | 115 | 330 | 180 | 555 | 10 | 112 |

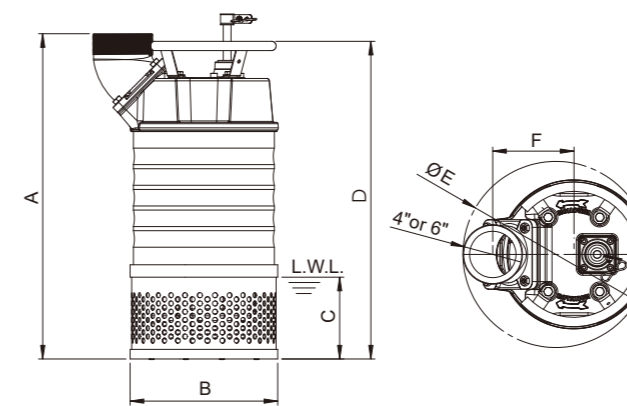
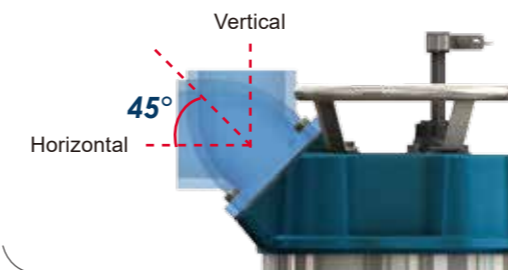
Performance Curve



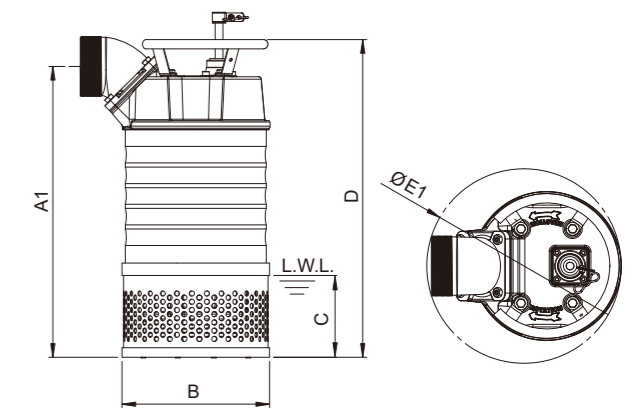
All technical information is subject to change without notice.

Standard Discharge Elbow

45° Elbow Bend to Select Discharge Direction



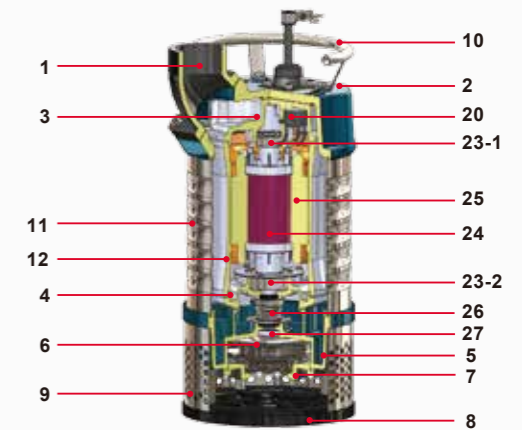
VERTICAL DISCHARGE MODE



HORIZONTAL DISCHARGE MODE

Dimensions (mm)

| Type | A | A1 | B | C | D | E | E1 | F |
|--------------|-----|-----|-----|-----|-----|-----|-----|-----|
| BDLW1000 - 4 | 630 | 564 | 286 | 159 | 616 | 360 | 377 | 158 |
| BDLW1000 - 6 | 637 | 579 | 286 | 159 | 616 | 390 | 389 | 173 |
| BDLW1500 - 4 | 721 | 655 | 286 | 151 | 712 | 403 | 420 | 181 |
| BDLW2000 - 6 | 730 | 671 | 286 | 151 | 712 | 423 | 435 | 201 |



Parts and Material List

| No. | Part | Material |
|------|-----------------------|---|
| 1 | Discharge | ASTM A356 |
| 2 | Upper Cover | ASTM A356 |
| 3 | Motor Cover | ASTM A356 |
| 4 | Lower Bearing Bracket | ASTM A48 Class 30 |
| 5 | Pump Casing | ASTM A48 Class 30 (10HP) ASTM A536 100-70-03 (15~20HP) |
| 6 | Impeller | High Chrome Steel |
| 7 | Suction Plate | ASTM A536 100-70-03 (10HP) |
| 7-1 | Seal Housing | ASTM A356 / BUNA N (15~20HP) |
| 8 | Base Plate | ASTM A356 |
| 9 | Strainer | AISI 304 |
| 10 | Handle | AISI 304 |
| 11 | Outer Casing | AISI 304 |
| 12 | Motor Frame | ASTM A356 |
| 20 | Protector | YAMADA |
| 23-1 | Upper Bearing | NTN/TPI |
| 23-2 | Lower Bearing | NTN/TPI |
| 24 | Rotor and Shaft | AISI 410 (10HP); AISI 420 (15~20HP) |
| 25 | Stator | |
| 26 | Mechanical Seal | Upper: CA/CE Lower: SIC/SIC |
| 27 | Lip Seal | BUNA N |

TPI is a family brand of NTN group.