



www.BoeschPumps.com

LIGHT WEIGHT SUBMERSIBLE
DEWATERING PUMP



BDLWB SERIES

60 HZ

BOESCH PUMPS INC
Art Chibli
(305) 999-1769
achibli@boeschpumps.com
14031 SW 143rd Court Miami, FL 33186

BDLWB SERIES

**LIGHT WEIGHT SUBMERSIBLE
DEWATERING PUMP**

**BDLWB316 - AISI 316
BDLWB304 - AISI 304**



BDLWB WITH FLAP VALVE

Features

- High resistance to abrasive liquids
- Loss wax casting AISI 304 and AISI 316 for BDLWB304 and BDLWB316
- Viton gasket, O-rings, and Lip seal for BDLWB316 (AISI 316)
- Compact & Lightweight design
- Efficient circumferential cooling for continuous duty
- Low suction device with non-return flap valve, capable to keep the water within pump and pipe without much flowback

Applications

- Site drainage, mining, tunneling, public works, floods
- Cement industry, river intake, civil engineering projects
- Version "304" in AISI 304 and "316" in AISI 316 are suitable for light chemical liquids in drainage and general pumping applications

Data Chart

Type	Output		Discharge	F.L.A.			Rated		Maximum		Free Passage	Weight(W/O Cable)	
	HP	kW		1ø	3ø	3ø	Head	Cap.	Head	Cap.		mm	1ø-kg
			Inch	230V	230V	460V	FT	GPM	FT	GPM			
BDLWB50	0.5	0.37	2"	3.3A	2.2A	1.1A	26	30	33	61	6	11.3	11.3
BDLWB304(316)50	0.5	0.37	2"	3.3A	2.2A	1.1A	26	30	33	61	6	14.1(13.8)	14.1(13.8)
BDLWB100	1	0.75	2"	6A	4A	2A	33	55	62.4	82	6	13.7	13.7
BDLWB304(316)100	1	0.75	2"	6A	4A	2A	33	55	62.4	82	6	17.2(16.7)	17.2(16.7)
BDLWB200	2	1.5	2"(3")	14A	8A	4A	43	70	62.5	132	6	21.1	21.1
BDLWB304(316)200	2	1.5	2"(3")	13A	8A	4A	43	80	62.5	153	6	25	25

» Float switch is optional for above pump in single phase.

Specifications

Liquid Temperature	0~40°C (32~104°F)	
Submersible depth	10M	
Motor Part	Frequency	60Hz
	Pole	2 Pole
	Type	Dry Type
	Insulation	Class B
	Protection	IP 68
	Pump Part	Protector
Bearing		Ball Type
Mechanical seal		Double Mechanical Seal
Impeller		Semi-Open Impeller



DU PONT Hytel[®]
Steel coated with
thermoplastic
polyester elastomer



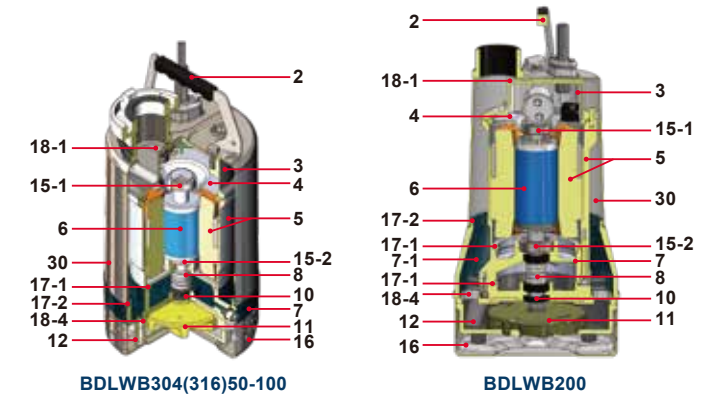
**Loss Wax Stainless
Steel AISI 304 & 316
BDLWB Impeller**



**Viton gasket, O-rings,
and Lip seal
for BDLWB316 (AISI
316)**



FLAP VALVE



BDLWB304(316)50-100

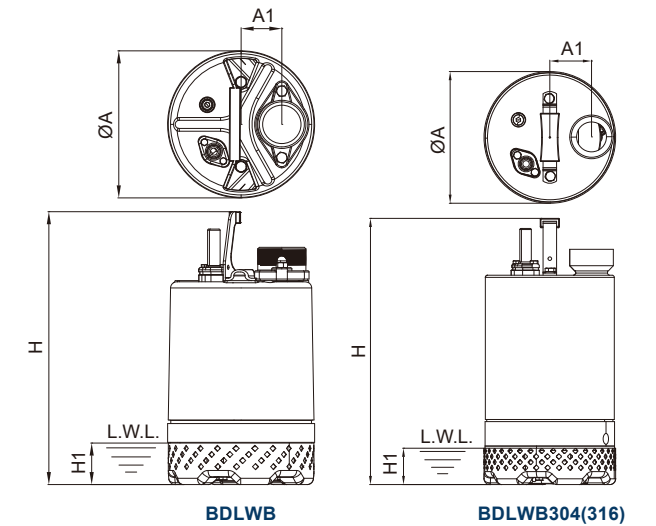
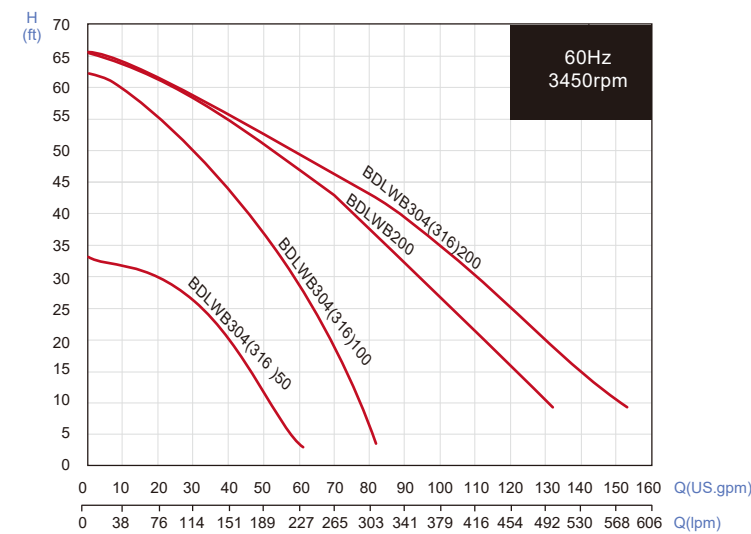
BDLWB200

Parts and Material List

No.	Part	Material			
		BDLWB (0.5~1HP)	BDLWB (2HP)	BDLWB304	BDLWB316
2	Handle	Steel+BUNA N	Steel+BUNA N	AISI 304+BUNA N	AISI 304+BUNA N
3	Motor Cover	ADC12	ADC12	AISI 304	AISI 316
4	Bracket	Steel	Steel	ASTM A48 Class 30	ASTM A48 Class 30
5	Motor Housing + Stator	ADC12+Steel	ADC12+Steel	AISI 304	AISI 316
6	Shaft with Rotor	AISI 410	AISI 410	AISI 304	AISI 316
7	Oil Chamber	ADC12	ASTM A356	AISI 304	AISI 316
7-1	Oil Chamber	-	ASTM A356	-	-
8	Mechanical Seal	CA/CE+SIC/SIC			
10	Lip Seal	BUNA N	BUNA N	BUNA N	VITON
11	Impeller	Hytel	Hytel	AISI 304	AISI 316
12	Pump Casing	ASTM A48 Class 30	ASTM A48 Class 30	AISI 304	AISI 316
15-1	Upper Bearing	NTN/TPI			
15-2	Lower Bearing	NTN/TPI			
16	Strainer	AISI 304	AISI 304	AISI 304	AISI 316
17-1	O-ring	BUNA N	BUNA N	BUNA N	VITON
17-2	O-ring	BUNA N	BUNA N	BUNA N	VITON
18-1	Gasket	BUNA N	BUNA N	EPDM	VITON
18-4	Volute Liner	BUNA N	BUNA N	EPDM	EPDM
30	Outer Housing	AISI 304	AISI 304	AISI 304	AISI 316

TPI is a family brand of NTN group.

Performance Curve



Dimensions (mm)

Type	A	A1	H	H1
BDLWB50	188	52	345	53
BDLWB304(316)50	188(184)	52	345	52
BDLWB100	188	52	370	53
BDLWB304(316)100	188(184)	52	370	52
BDLWB200	225	52	474	81
BDLWB304(316)200	225	52	455	81