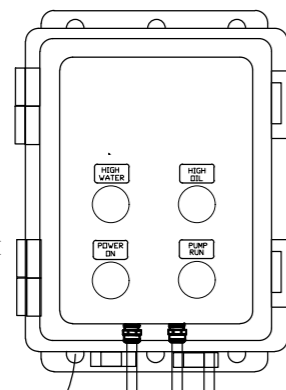
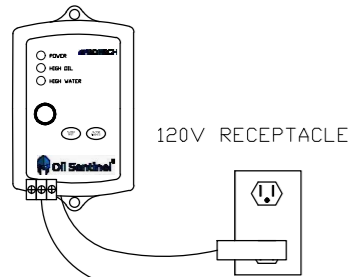




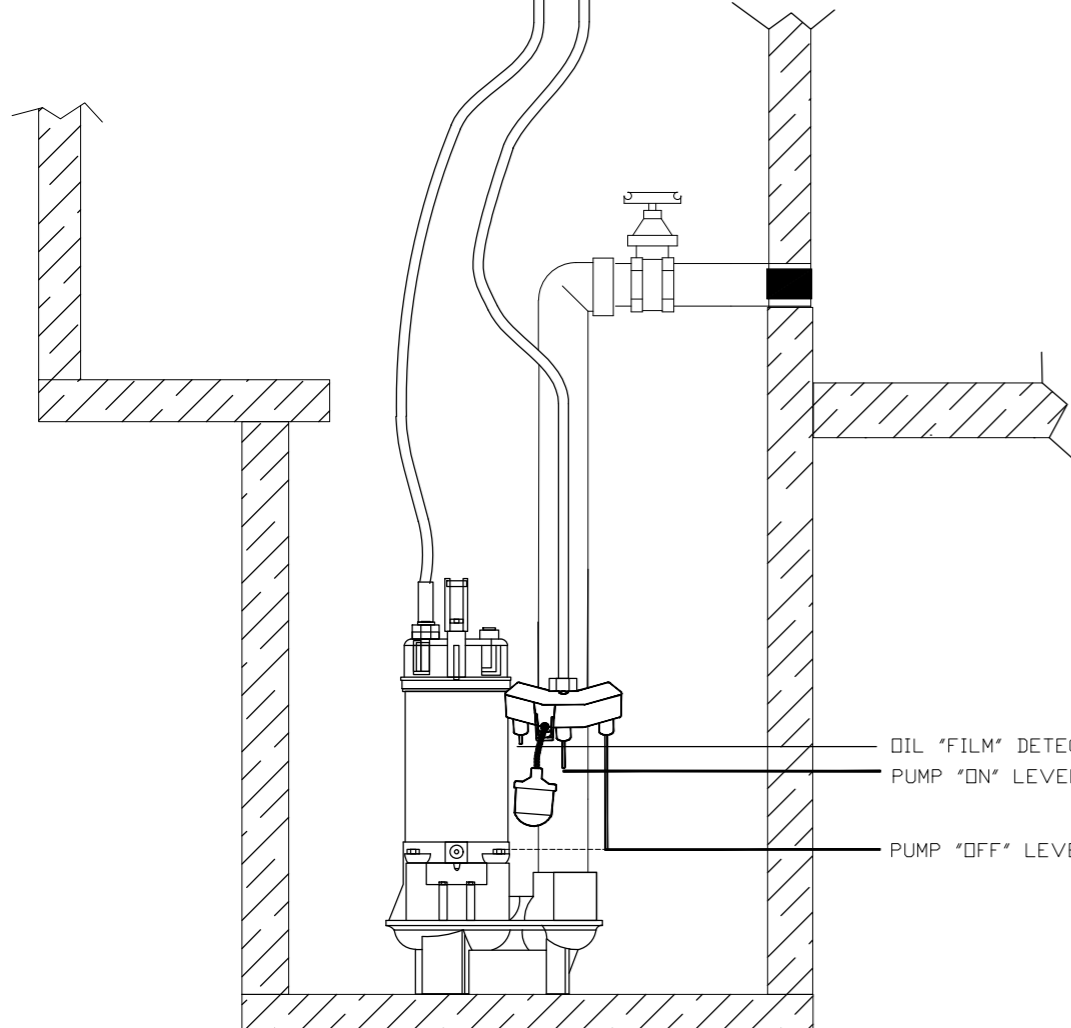
# Oil Sentinel®

OIL CONTROL

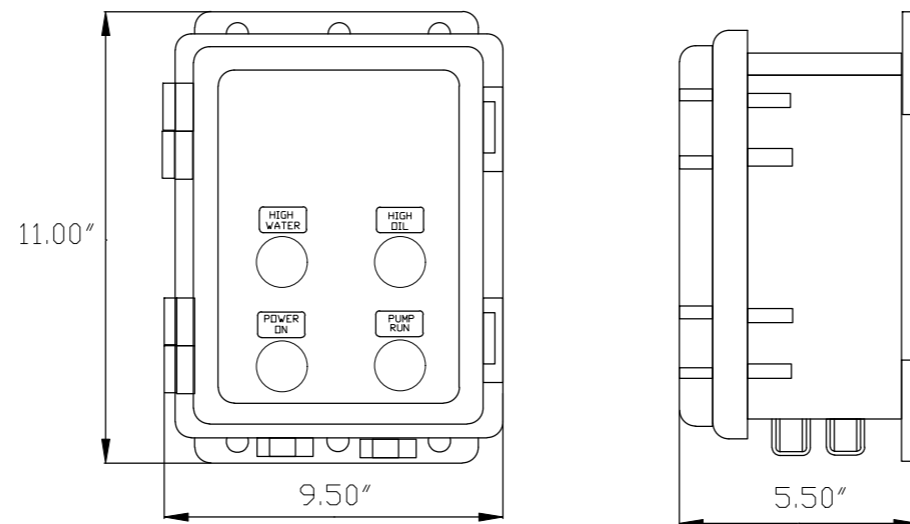
OIL ALARM



120/208/230/460



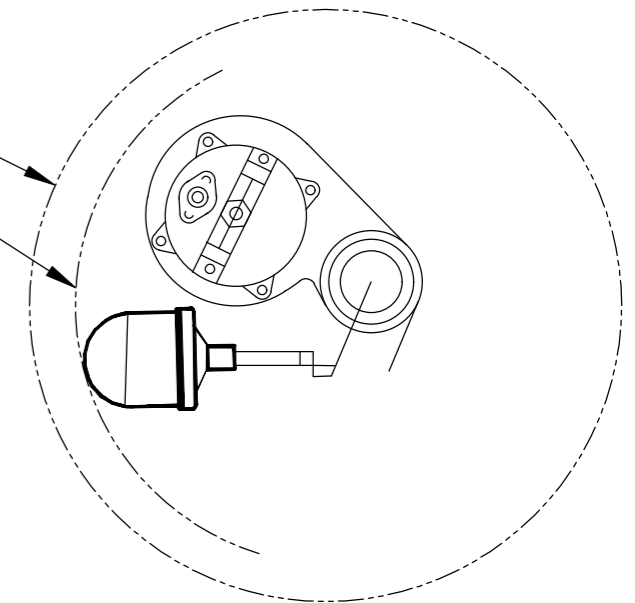
OIL CONTROL DIMENSIONS



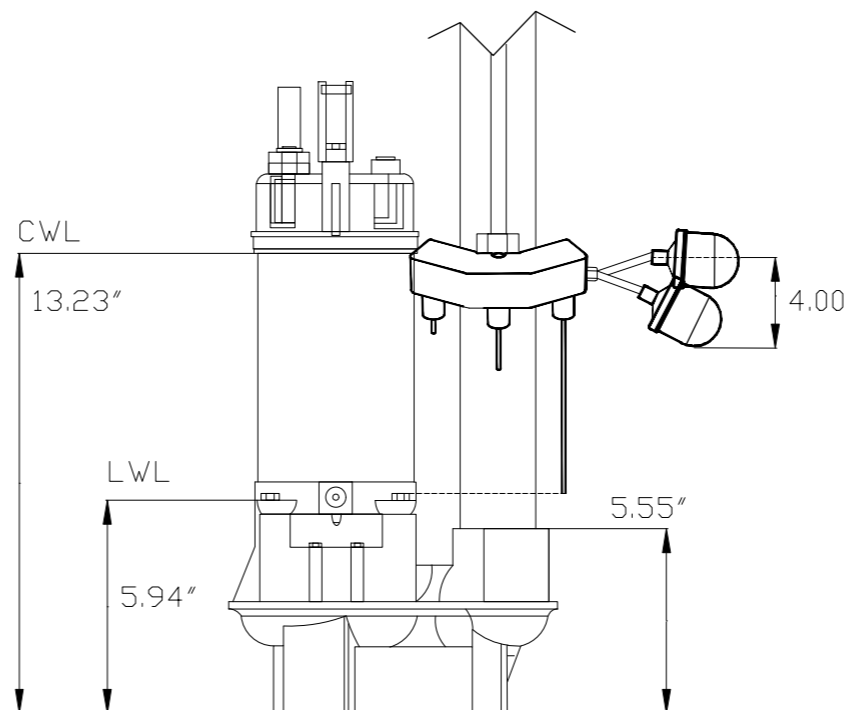
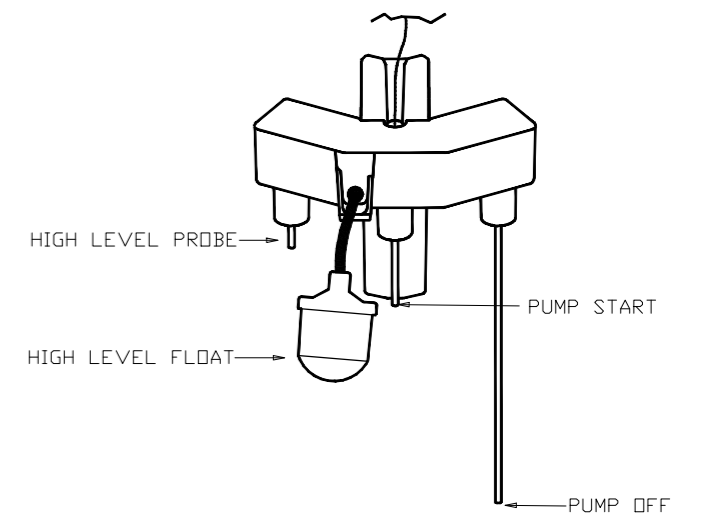
PUMP TOP VIEW

DIA 18.00"

DIA 11.00"



LEVEL SENSOR HOLDER



BOESCH PUMPS LLC  
Art Chibli  
(305) 999-1769  
achibli@boeschpumps.com  
BoeschPumps.com

BOESCH OIL SENTINEL

Revision notes:

Rev:	Date:	Notes:
A	06/15/21	PROJECT

Drawn by:  
C.Grajeda

Project:  
BOESCH

Date:  
06/14/2021

Client:

Drawing Title:  
OIL SENTINEL

Scale @ A3:  
XXXX

Revision:  
A