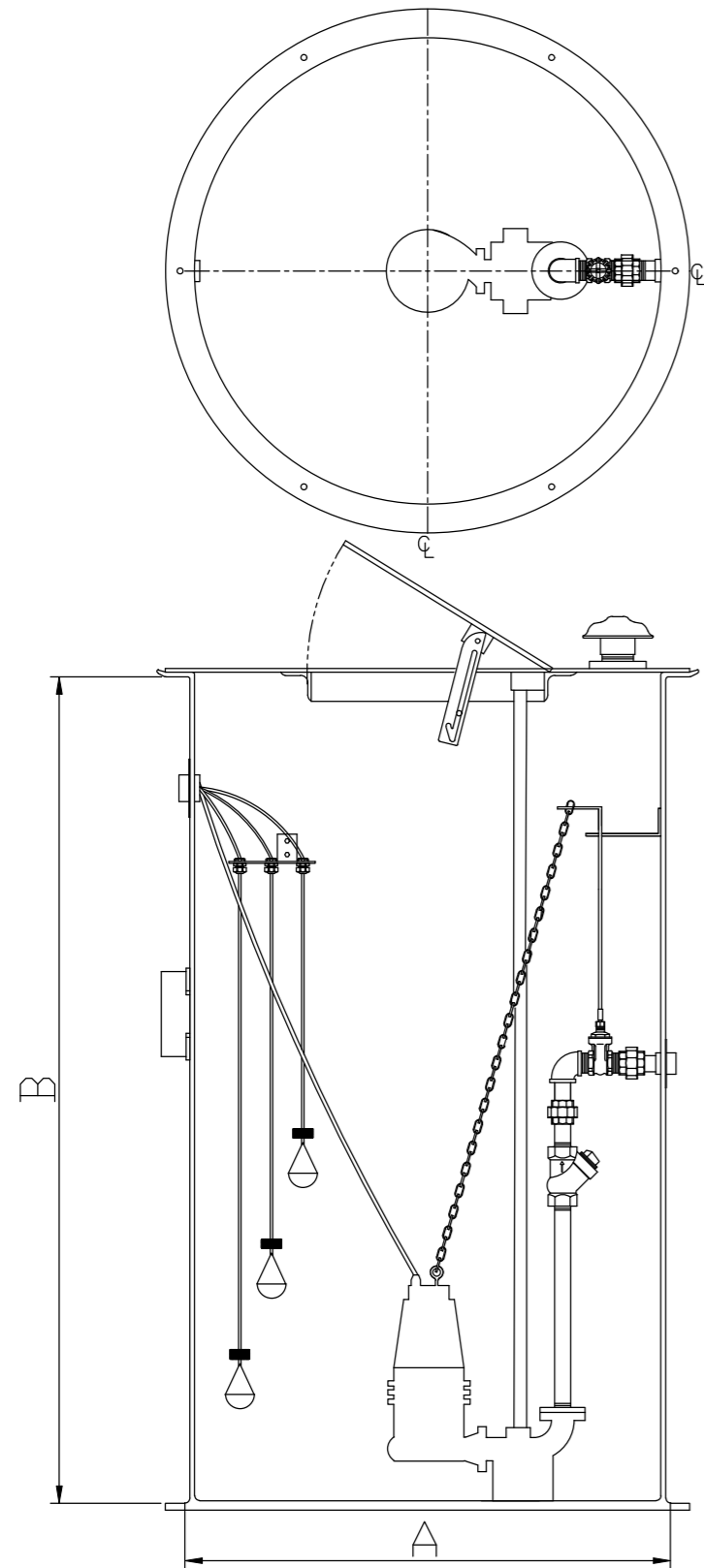
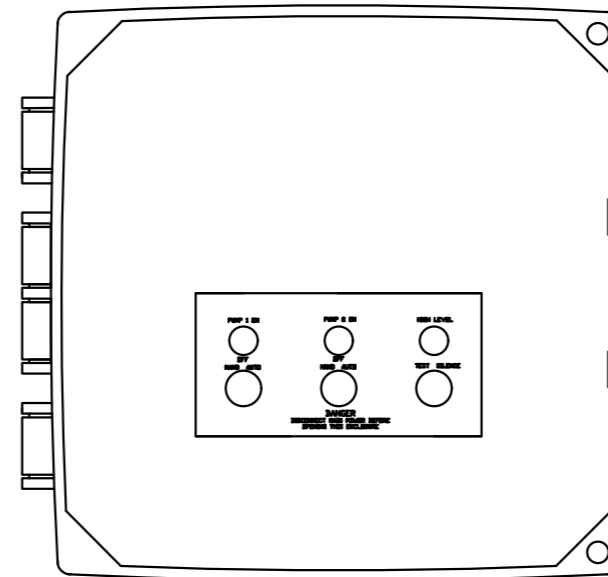


### BASIN DETAILS



### CONTROL PANEL



- Standard components:
- 1- 16 x 14 x 7 NEMA 4X polycarbonate enclosure.
  - 2- IEC motor contactor.
  - 3- MCC B for shortcut.
  - 4- Alternator.
  - 5- Green Pump run indicator lights.
  - 6- Alarm/Control CB.
  - 7- Float switch terminal block angled for ease of field installation.
  - 8- Input power terminal block angled for ease of field installation.
  - 9- Ground lugs.
  - 10- HOA(Hand/Off/Auto) switches.

- Standard Alarm Package:
- 11- High alarm relay for dry contacts.
  - 12- Indicator light for visual check.
  - 13- Sonalert audible alarm.
  - 14- Exterior alarm test with silence.
  - 15- Horn silence relay.

### GENERAL NOTES

BASIN DIAMETER (A)	
BASIN DEPTH (B)	
PHASE	
VOLTAGE	
PUMP MODEL	
FLOW (GPM)	
TDH (FEET)	
HP	
RPM	
DISCHARGE	

#### NOTES:

PLEASE CONTACT:  
 BOESCH PUMPS INC.  
 ARTURO GARCIA  
 (954) 483 9269  
 Engineering@BoeschPumps.com  
 BoeschPumps.com

### SIMPLEX EJECTOR SYSTEM

#### Revision notes:

Rev:	Date:	Notes:
A	09/09/19	PROJECT

Drawn by:  
C.Grajeda

Project:  
WASTEWATER

Date:  
09/09/2019

Client:

Drawing Title:  
WWS SIMPLEX EJECTOR

Scale @ A3:  
XXXX

Revision:  
A

