

**MOTOR SPECIFICATIONS**

<b>Motor Design</b>	Induction
<b>Motor Type</b>	Enclosed submersible
<b>Insulation Class</b>	Class E
<b>Motor Protection</b>	Bi-metallic Thermal Switch
<b>Bi-Metallic Temp Trip</b>	120° C ± 5° C
<b>Service Factor</b>	1.3
<b>Voltage Tolerance</b>	± 10% from nominal



**MOTOR DATA, 60Hz**

Model	Phase	Output Power BHP	Volts	Full Load Amps	Locked Rotor Amps	NEMA Code Letter	Power Factor 100% Load	Motor Efficiency 100% Load	Pole/Speed (rpm)
SV-200	1	2.0	230	12	60	H	0.90	0.79	2/3450
	3	2.0	230	6	30	G	0.89	0.78	2/3450
	3	2.0	460	3	15	G	0.84	0.75	2/3450
	3	2.0	575	2.3	11.5	G	0.82	0.78	2/3450

**MATERIALS OF CONSTRUCTION**

<b>Upper Motor Lid</b>	FC-20 Cast Iron
<b>Motor Housing</b>	AISI 304 Stainless Steel
<b>Oil Chamber</b>	FC-20 Cast Iron
<b>Volute</b>	FC-20 Cast Iron
<b>External Hardware</b>	AISI 304 Stainless Steel
<b>O-Rings</b>	Nitrile (Buna N)
<b>Motor Shaft</b>	Stainless Steel (410)
<b>Upper Bearing</b>	Single row, doubled sealed
<b>Lower Bearing(s)</b>	Single row, doubled sealed
<b>Upper Shaft Seal</b>	CA/CE (carbon/ceramic)
<b>Lower Shaft Seal</b>	CA/CE; outboard lip seal
<b>Impeller</b>	FC-20 Cast Iron

**DIMENSIONS, WEIGHT, AND MISC.**

<b>Pump weight single phase</b>	77lbs (35kg)
<b>Pump weight three phase</b>	77lbs (35kg)
<b>Maximum submergence</b>	30 feet (9m)
<b>Discharge size, standard</b>	2 inch or 3 inch NPT female vertical
<b>Maximum temp. of pumped fluid</b>	104°F (40°C)

**CABLE SPECIFICATIONS**

MODEL	PHASE/VOLTAGE	POWER CABLE	LENGTH	OUTER JACKET
SV-200	1Ø-230V	SJTOW 14/3	33 feet (10m)	NBR
	3Ø-230V	STOW 14/4	33 feet (10m)	NBR
	3Ø-460V	STOW 16/4	33 feet (10m)	NBR
	3Ø-575V	STOW 16/4	33 feet (10m)	NBR

Power cable suitable for all standard voltages listed in "MOTOR DATA" section.

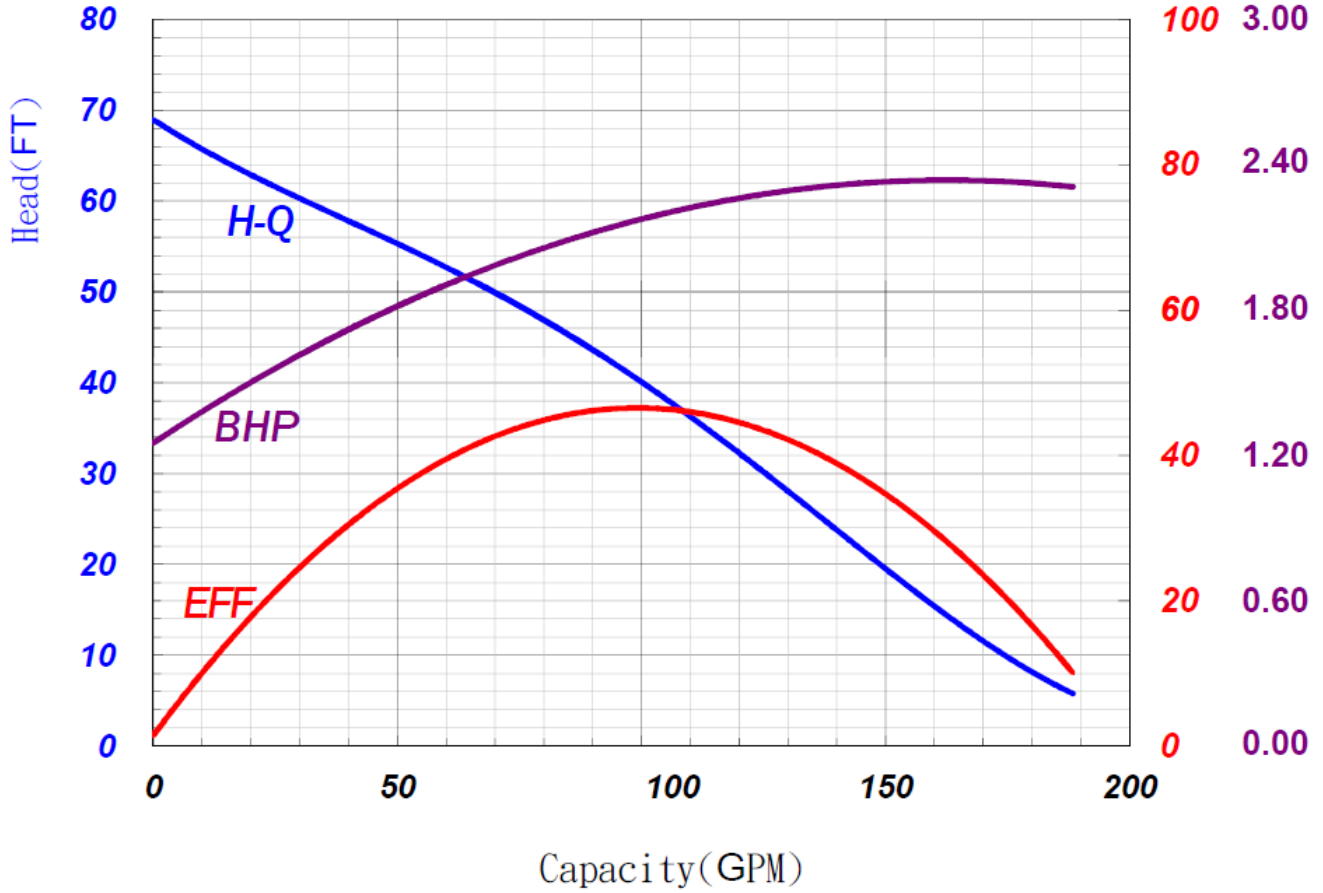


Specifications subject to change without notice

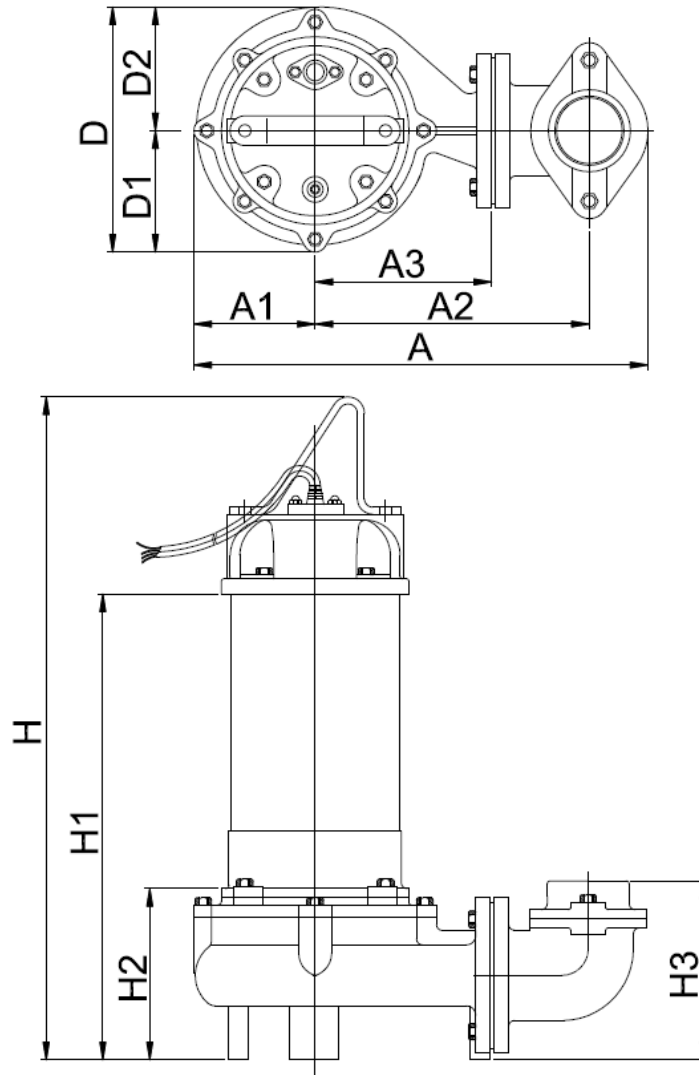
Horsepower: 2 HP  
Hertz: 60 Hz

Model SV-200  
Individual Performance Curve

EFF (%) BHP  
100 3.00



Specifications subject to change without notice



TYPE	DISCHARGE	A	A1	A2	A3	D	D1	D2	H	H1	H2	H3
<b>DIMENSIONS</b>	2" or 3" NPT female	15.35"	4.06"	9.25"	5.94"	8.27"	4.13"	4.13"	20.94"	15.75"	5.91"	5.98"



Specifications subject to change without notice