

MOTOR SPECIFICATIONS

| | |
|------------------------------|----------------------------|
| Motor Design | Induction |
| Motor Type | Enclosed submersible |
| Insulation Class | Class E |
| Motor Protection | Bi-metallic Thermal Switch |
| Bi-Metallic Temp Trip | 120° C ± 5° C |
| Service Factor | 1.3 |
| Voltage Tolerance | ± 10% from nominal |



MOTOR DATA, 60Hz

| Model | Phase | Output Power BHP | Volts | Full Load Amps | Locked Rotor Amps | NEMA Code Letter | Power Factor 100% Load | Motor Efficiency 100% Load | Pole/Speed (rpm) |
|--------|-------|------------------|-------|----------------|-------------------|------------------|------------------------|----------------------------|------------------|
| SV-300 | 3 | 3.0 | 230 | 9 | 45 | G | 0.92 | 0.82 | 2/3450 |
| | 3 | 3.0 | 460 | 4.3 | 21.5 | G | 0.91 | 0.81 | 2/3450 |
| | 3 | 3.0 | 575 | 3.5 | 17.5 | G | 0.93 | 0.79 | 2/3450 |

MATERIALS OF CONSTRUCTION

| | |
|--------------------------|----------------------------|
| Upper Motor Lid | FC-20 Cast Iron |
| Motor Housing | AISI 304 Stainless Steel |
| Oil Chamber | FC-20 Cast Iron |
| Volute | FC-20 Cast Iron |
| External Hardware | AISI 304 Stainless Steel |
| O-Rings | Nitrile (Buna N) |
| Motor Shaft | Stainless Steel (410) |
| Upper Bearing | Single row, doubled sealed |
| Lower Bearing(s) | Single row, doubled sealed |
| Upper Shaft Seal | CA/CE (carbon/ceramic) |
| Lower Shaft Seal | CA/CE; outboard lip seal |
| Impeller | FC-20 Cast Iron |

DIMENSIONS, WEIGHT, AND MISC.

| | |
|--------------------------------------|--------------------------------------|
| Pump weight | 79lbs (35kg) |
| Maximum submergence | 30feet (9m) |
| Discharge size, standard | 2 inch or 3 inch NPT female vertical |
| Maximum temp. of pumped fluid | 104°F (40°C) |

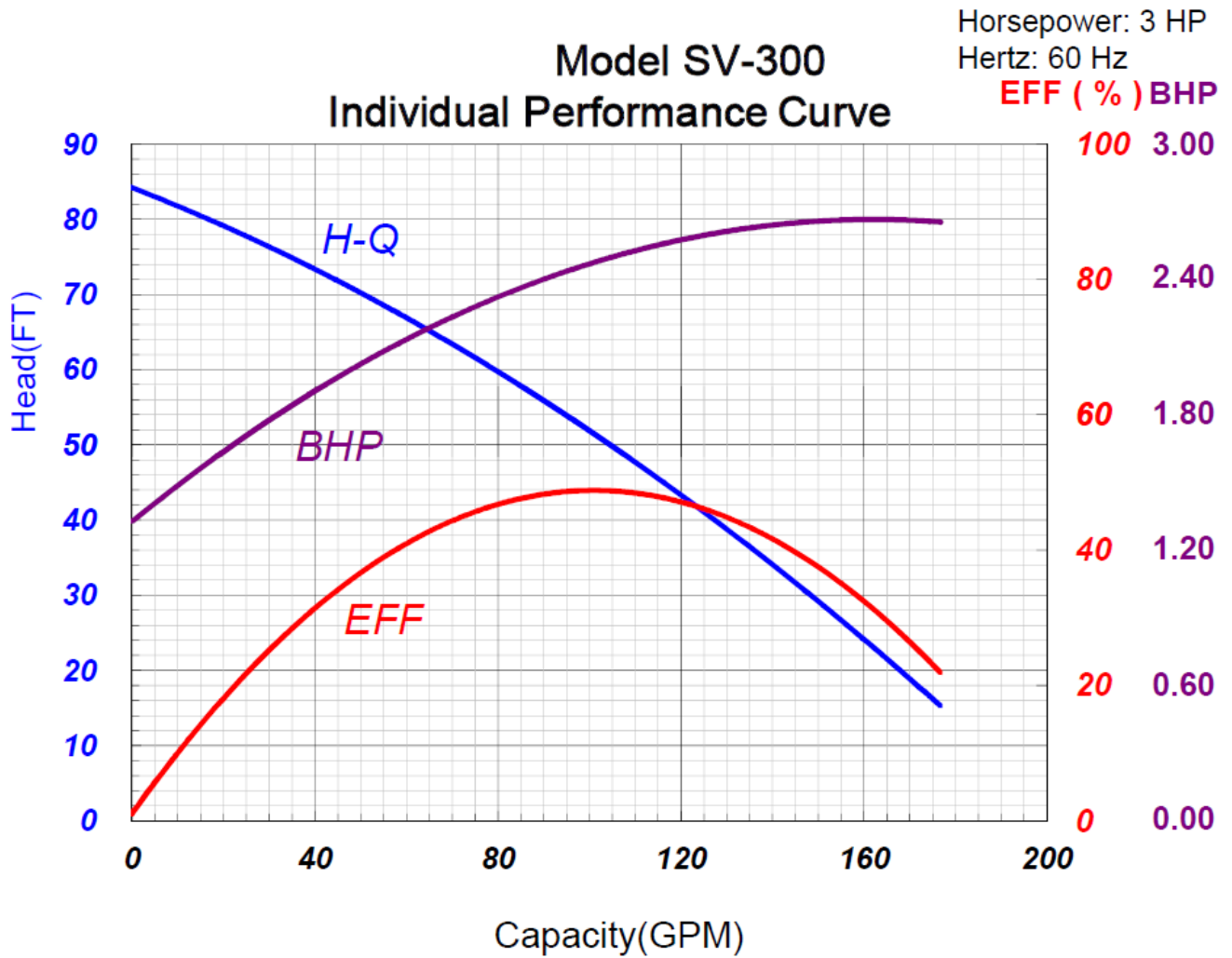
CABLE SPECIFICATIONS

| MODEL | PHASE/VOLTAGE | POWER CABLE | LENGTH | OUTER JACKET |
|--------|---------------|-------------|---------------|--------------|
| SV-300 | 3Ø-230V | STOW 14/4 | 33 feet (10m) | NBR |
| | 3Ø-460V | STOW 14/4 | 33 feet (10m) | NBR |
| | 3Ø-575V | STOW 14/4 | 33 feet (10m) | NBR |

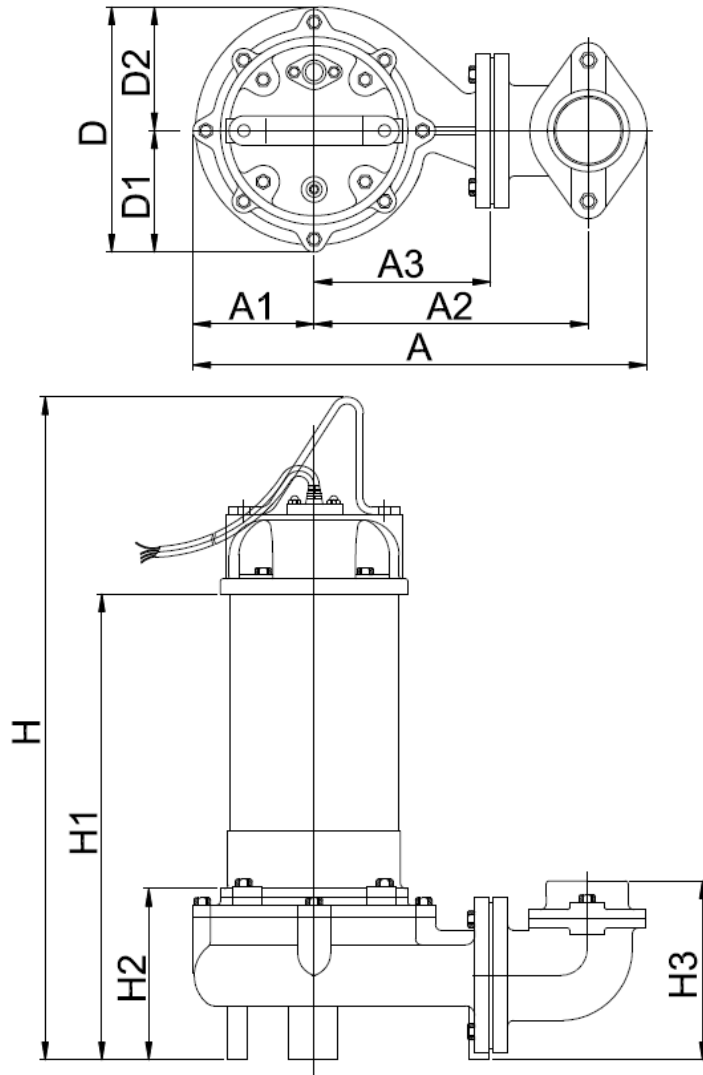
Power cable suitable for all standard voltages listed in "MOTOR DATA" section.



Specifications subject to change without notice



Specifications subject to change without notice



| TYPE | DISCHARGE | A | A1 | A2 | A3 | D | D1 | D2 | H | H1 | H2 | H3 |
|-------------------|---------------------|--------|-------|-------|-------|-------|-------|-------|--------|--------|-------|-------|
| DIMENSIONS | 2" or 3" NPT female | 15.35" | 4.06" | 9.25" | 5.94" | 8.27" | 4.13" | 4.13" | 21.73" | 16.54" | 5.91" | 5.98" |



Specifications subject to change without notice