

**MOTOR SPECIFICATIONS**

<b>Motor Design</b>	Induction
<b>Motor Type</b>	Enclosed submersible
<b>Insulation Class</b>	Class E
<b>Motor Protection</b>	Bi-metallic Thermal Switch
<b>Bi-Metallic Temp Trip</b>	120° C ± 5° C
<b>Service Factor</b>	1.3
<b>Voltage Tolerance</b>	± 10% from nominal



**MOTOR DATA, 60Hz**

Model	Phase	Output Power BHP	Volts	Full Load Amps	Locked Rotor Amps	NEMA Code Letter	Power Factor 100% Load	Motor Efficiency 100% Load	Pole/Speed (rpm)
SV-750	3	7.5	230	21	105	F	0.85	0.84	2/3450
	3	7.5	460	10.5	52.5	F	0.83	0.82	2/3450
	3	7.5	575	10	50	H	0.84	0.80	2/3450

**MATERIALS OF CONSTRUCTION**

<b>Upper Motor Lid</b>	FC-20 Cast Iron
<b>Motor Housing</b>	AISI 304 Stainless Steel
<b>Oil Chamber</b>	FC-20 Cast Iron
<b>Volute</b>	FC-20 Cast Iron
<b>External Hardware</b>	AISI 304 Stainless Steel
<b>O-Rings</b>	Nitrile (Buna N)
<b>Motor Shaft</b>	Stainless Steel (410)
<b>Upper Bearing</b>	Single row, doubled sealed
<b>Lower Bearing(s)</b>	Single row, doubled sealed
<b>Upper Shaft Seal</b>	CA/CE (carbon/ceramic)
<b>Lower Shaft Seal</b>	CA/CE; outboard lip seal
<b>Impeller</b>	FC-20 Cast Iron

**DIMENSIONS, WEIGHT, AND MISC.**

<b>Pump weight</b>	137lbs (62kg)
<b>Maximum submergence</b>	30 feet (9m)
<b>Discharge size, standard</b>	3 inch or 4 inch NPT female vertical
<b>Maximum temp. of pumped fluid</b>	104°F (40°C)

**CABLE SPECIFICATIONS**

MODEL	PHASE/VOLTAGE	POWER CABLE	LENGTH	OUTER JACKET
SV-750	3Ø-230V	STOW 12/4	33 feet (10m)	NBR
	3Ø-460V	STOW 14/4	33 feet (10m)	NBR
	3Ø-575V	STOW 14/4	33 feet (10m)	NBR

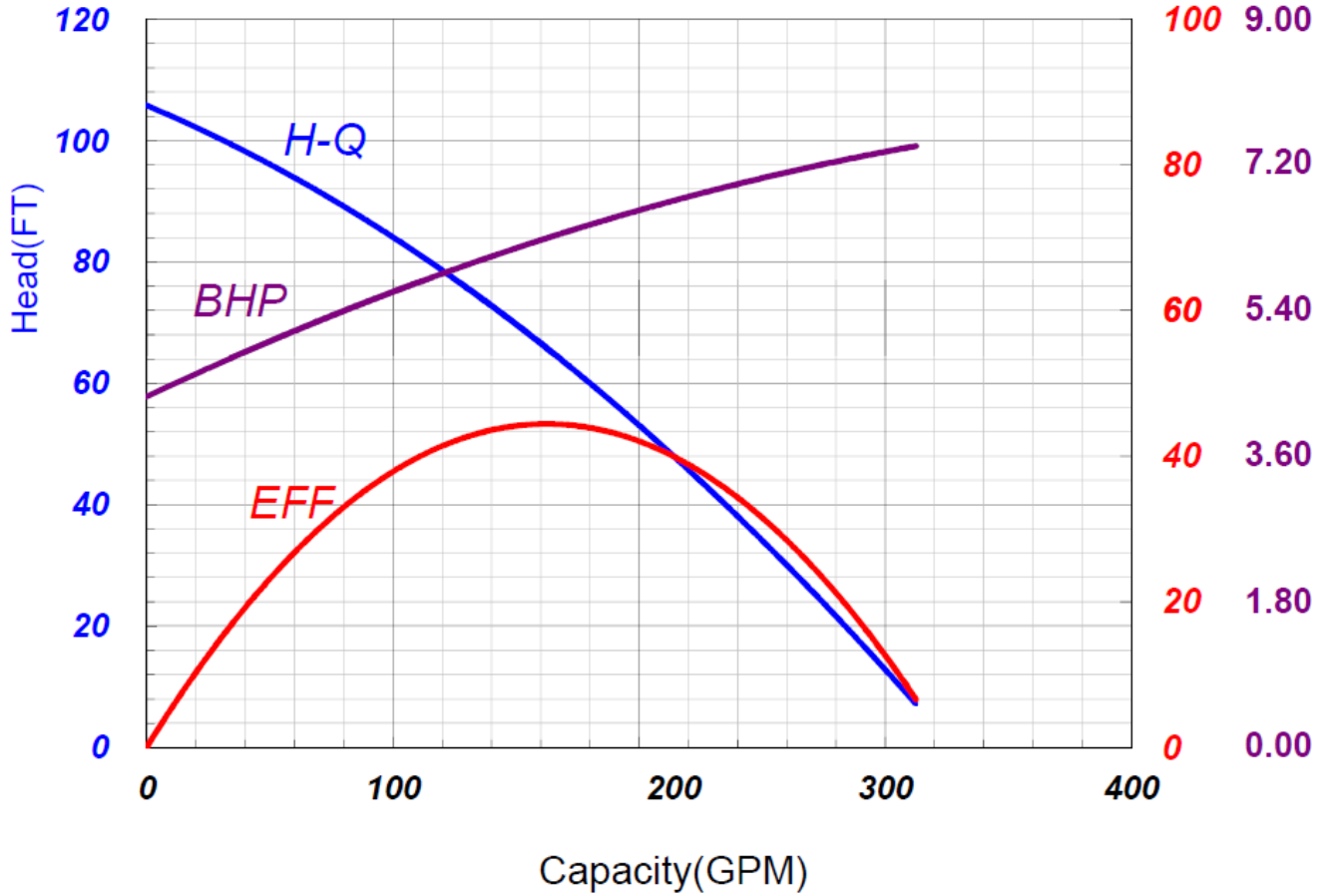
Power cable suitable for all standard voltages listed in "MOTOR DATA" section.



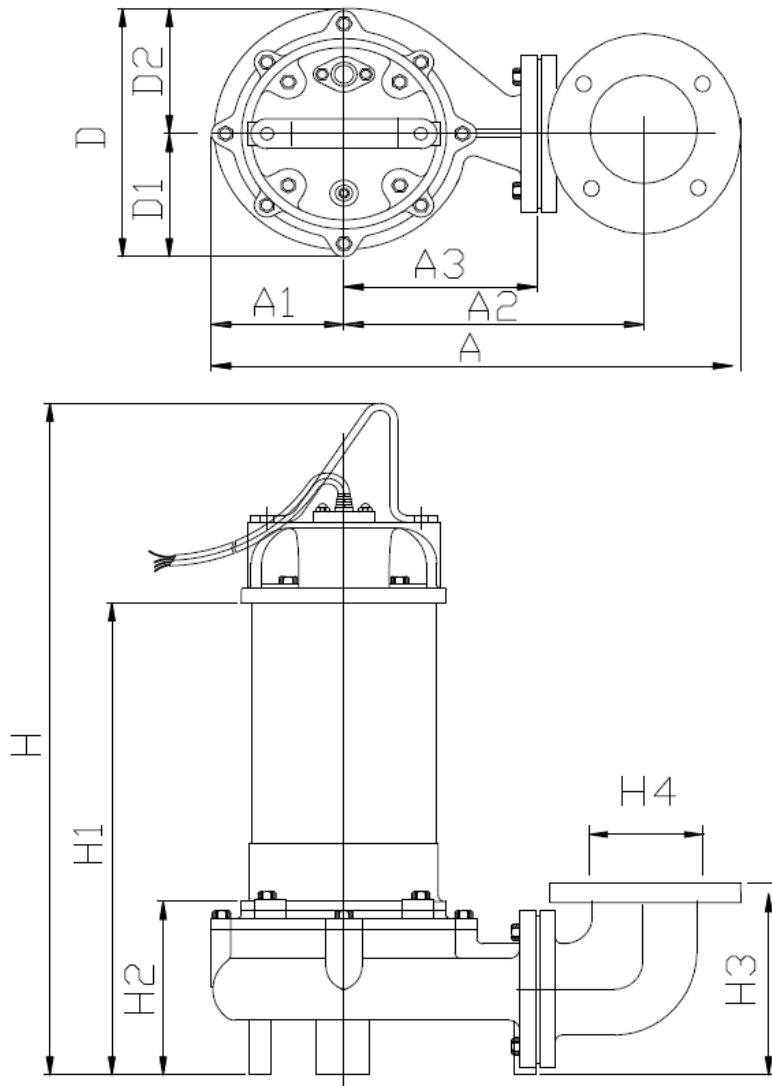
Specifications subject to change without notice

Model SV-750  
Individual Performance Curve

Horsepower: 7.5  
Hertz: 60 Hz  
EFF ( % ) BHP



Specifications subject to change without notice



TYPE	A	A1	A2	A3	D	D1	D2	H	H1	H2	H3	H4
Dimensions	18.50"	4.33"	10.12"	6.69"	8.58"	3.86"	4.72"	26.50"	20"	6.30"	8.11"	3" or 4" NPT female



Specifications subject to change without notice