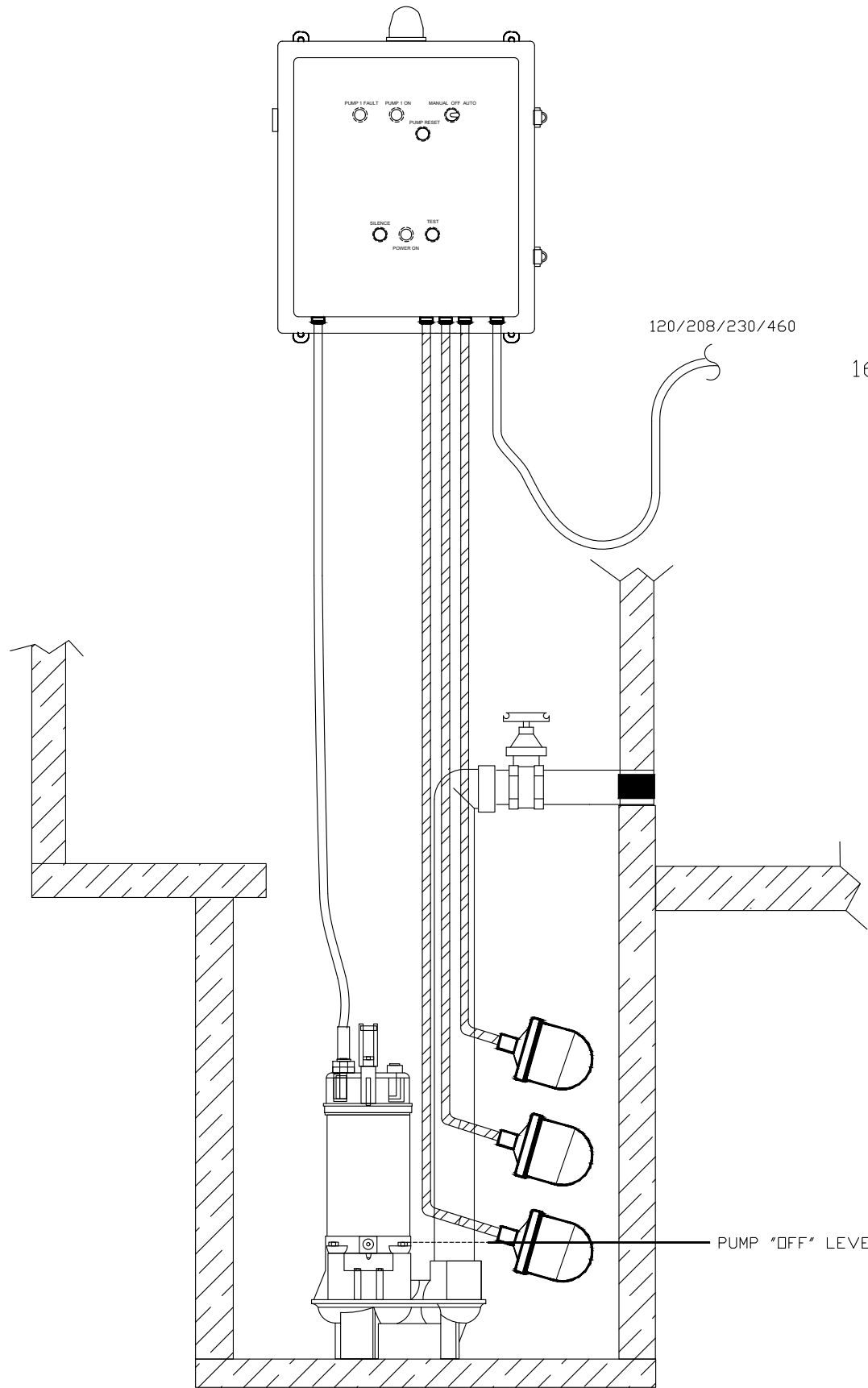
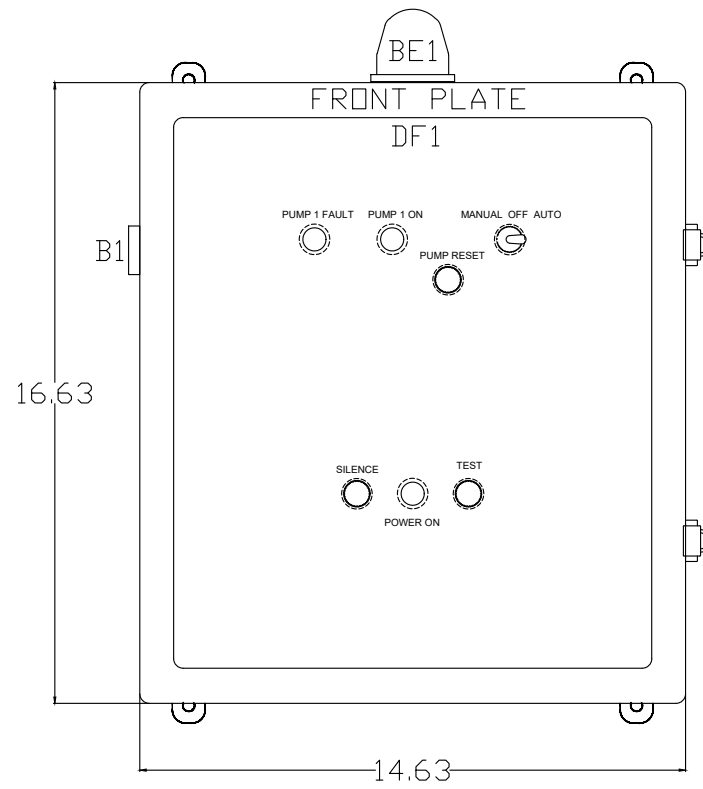


TRACTION SENTINEL

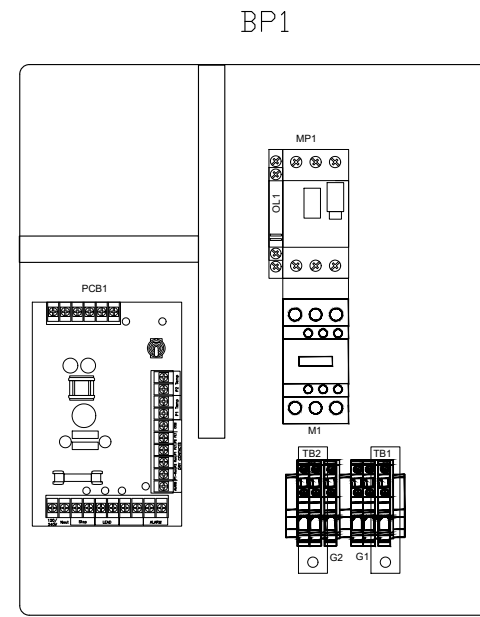
TRACTION SENTINEL CONTROL DIMENSIONS



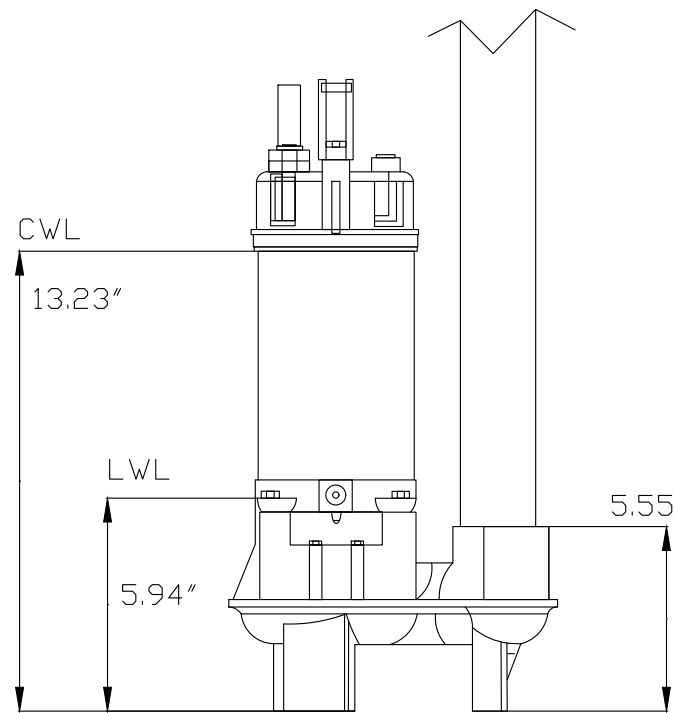
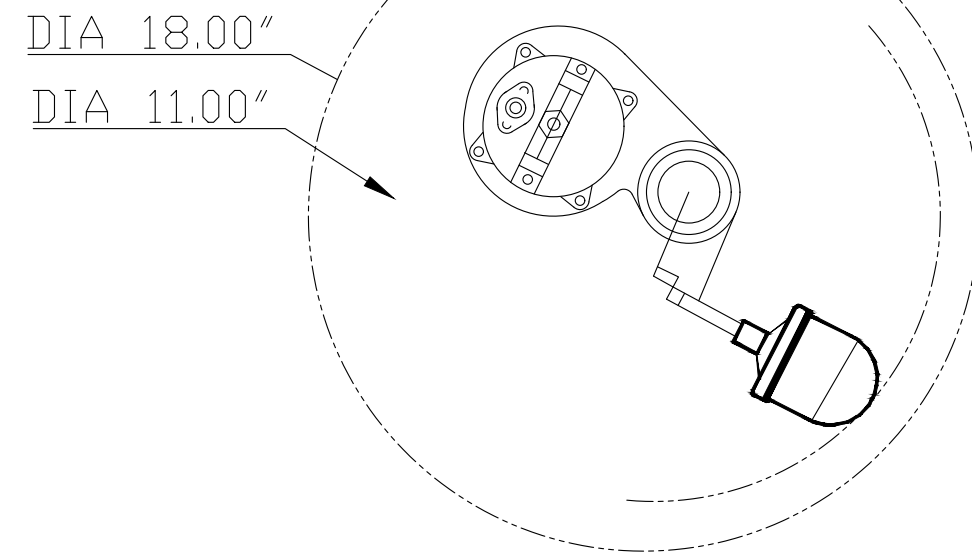
FRONT VIEW



FRONT VIEW



PUMP TOP VIEW



BOESCH PUMPS LLC  
 Art Chibli  
 (305) 999-1769  
 achibli@boeschpumps.com  
 BoeschPumps.com

BOESCH TRACTION SENTINEL

Revision notes:

| Rev: | Date:      | Notes:  |
|------|------------|---------|
| A    | 13/10/2022 | PROJECT |

Drawn by:  
C.Grajeda

Project:  
BOESCH

Date:  
10/13/2022

Client:

Drawing Title:  
TRACTION SENTINEL

Scale @ A3:  
XXXX

Revision:  
A