



www.BoeschPumps.com

**316SS STAINLESS STEEL AISI
SUBMERSIBLE VORTEX SEWAGE
PUMP**

BT SERIES

60 HZ



BOESCH PUMPS INC
Art Chibli
(305) 999-1769
achibli@boeschpumps.com
14031 SW 143rd Court Miami, FL 33186

BT SERIES

**STAINLESS STEEL AISI 316
SUBMERSIBLE VORTEX SEWAGE PUMP
SERIES 60HZ**



2"(3") BT200~300



2" BT50~BT100



**Watertight Corrugated
Cable Sleeve (optional)
Acid/Alkali Resistant
Plastic Composite Material**

Features

- Vortex impeller design
- Loss wax Stainless Steel AISI 316
- Large impeller clearance
- Viton gaskets, o-rings and lip seal are used throughout pump sealing
- Optional epoxy based nano-coating to extend pump life time
- Optional acid/alkali resistant cable sleeve

Applications

- Drainage for typical, chemical, pharmaceutical industries
- Wastewater with corrosive contaminant
- Wastewater treatment plant

Data Chart

Type	Output		Discharge	F.L.A.			Rated		Maximum		Free Passage	Weight(W/O Cable)		Q.D.C.
	HP	kW		1ø 230V	3ø 230V	3ø 460V	Head FT	Cap. GPM	Head FT	Cap. LPM		1ø-kg	3ø-kg	
2" BT50	0.5	0.37	2"	4A	2.8A	1.4A	19.7	55	36	88	35	13	12.4	SQS-50
2" BT100	1	0.75	2"	6A	4A	2A	29.5	60	46	118	35	15.4	15.7	SQS-50
2"(3") BT200	2	1.5	2"(3")	11A	7A	3.5A	36	90	65.5	155.8	45	31.2	29.7	SQM-80
2"(3") BT300	3	2.2	2"(3")	11A	8A	4.5A	39	110	75.5	177	45	32.8	31.3	SQM-80
3"(4") BT500	5	3.7	3"(4")	-	15A	8A	56	120	88.5	275	45	-	48	SQM-100
3"(4") BT750	7.5	5.5	3"(4")	-	21A	10.5A	64	145	105	290.5	45	-	53.8	SQM-100

» 2" BT50~BT100 : NPT Type

» 2"(3") BT200~BT300 : Elbow Type

» 3"(4") BT500~BT750 : Elbow Type



**Vortex Impeller
Stainless Steel AISI 316**



**Mechanical Seal
(EKK Eagle Burgmann)**



Long life Bearing



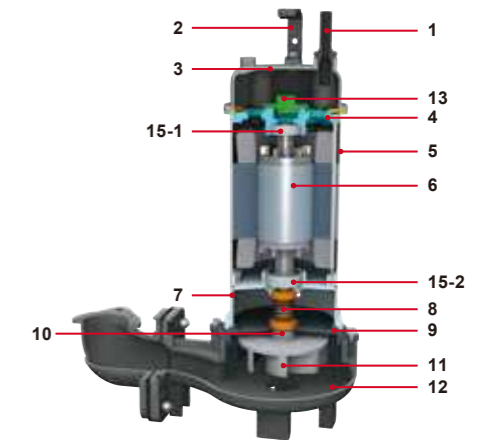
**Gaskets, O-rings, Lip seal
and Cable gland
made in Viton material**



**SQS(0.5HP~1HP)
AISI 316**



**SQM(2HP~7.5HP)
AISI 316**



Parts and Material List

No.	Part	Material
1	Cable	H07RN-F/SJTOW/STOW
2	Handle	Nylon 6(0.5-1HP) ; AISI 316 (2-7.5HP)
3	Motor Cover	AISI 316
4	Bracket	ASTM A48 Class 30
5	Motor Housing + Stator	AISI 316
6	Shaft with Rotor	AISI 316
7	Oil Chamber	ASTM A48 Class 30(0.5-1HP) ; AISI 316(2-7.5HP)
8	Mechanical Seal	Upper : CA / CE Lower : SIC / SIC
9	Seal Housing	AISI 316
10	Lip Seal	Viton
11	Impeller	AISI 316
12	Pump Casing	AISI 316
13	Protector	KLIXON
15-1	Upper Bearing	NTN/TPI
15-2	Lower Bearing	NTN/TPI

TPI is a family brand of NTN group.

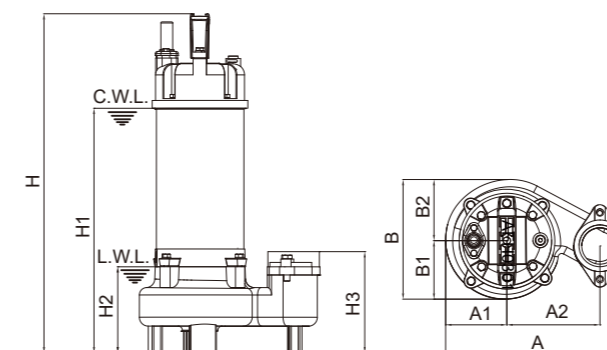
Dimensions (mm)

Type	A	A1	A2	A3	B	B1	B2	H	H1	H2	H3
2" BT50	228	75	120	N/A	150	70	80	425	297	117	138
2" BT100	228	75	120	N/A	150	70	80	455	327	117	138
2"(3") BT200	390	103	235	154	208	104	104	532	400	150	152
2"(3") BT300S(T)	390	103	235	154	208	104	104	572(552)	440(420)	150	152
3"(4") BT500	466	100	274	177	210	95	115	633	468	160	225
3"(4") BT750	466	100	274	177	210	95	115	673	508	160	225

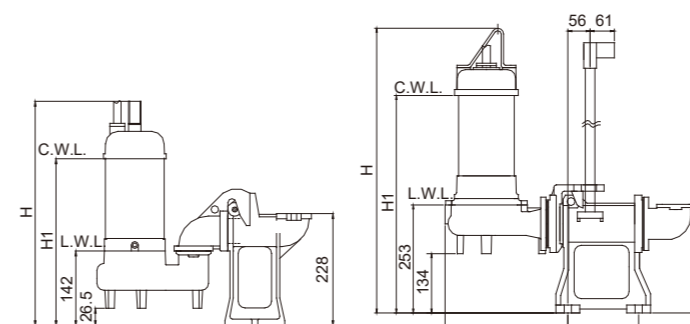
» Note1 : S: Single Phase ; T: Three Phase

» Note2 : Automatic models are available in single-phase versions(0.5~3HP).

» Note3 : Q.D.C. (Quick Discharge Connection) is available for all models.



2" BT50~BT100



2" BT50~BT100 With SQS

2"(3") BT200~BT300 With SQM

BT Series with SQS/SQM

Type	Output		Discharge		Dimensions(mm)	
	HP	KW	Inch	mm	H	H1
BT series with SQS	0.5	0.37	2"	50	445	322
	1	0.75	2"	50	475	352
	2	1.5	2"(3")	50(80)	660	534
BT Series with SQM	3	2.2	2"(3")	50(80)	S:710;T:690	S:574;T:554
	5	3.7	3"(4")	80(100)	769	604
	7.5	5.5	3"(4")	80(100)	809	644

MOTOR / PUMP SPECIFICATIONS

ITEM		DESCRIPTION
LIMITS	Liquid Temp	0~40°C
	Application	Commercial / Industrial / Municipal use
TYPE	Frequency	60Hz
	Motor	2P (3450RPM) Dry Motor
	Insulation	Class B
	Start Method	Direct On Line
	Protection	IP 68
	Protector	Auto-Cut
	Bearing	Ball Type
	Mech. Seal	Dual. Mechanical Seal
	Impeller	Vortex Impeller
	MATERIAL	Motor Cover
Motor Housing+Stator		AISI 316
Shaft with Rotor		AISI 316
Mech. Seal		Upper: CA/CE; Lower: SIC/SIC
Pump Casing		AISI 316
Impeller		AISI 316
Cable		H07RN-F / SJTOW / STOW



MOTOR / PUMP DATA CHART

MODEL	OUTPUT		DISCHARGE INCHES	PHASE VOLTAGE	1Ø			FREE PASSAGE	WEIGHT W/O CABLE
	HP	KW			115V	208V	230V	INCHES	LBS
BT50/1	0.5	0.37	2	FULL LOAD AMPS	8A	4.4A	4A	1.4	29
BT100/1	1	0.75	2		12A	6.6A	6A	1.4	35
BT200/1	2	1.5	2 (3)		-	12.2A	11A	1.8	69
BT300/1	3	2.2	2 (3)		-	12.2A	11A	1.8	72

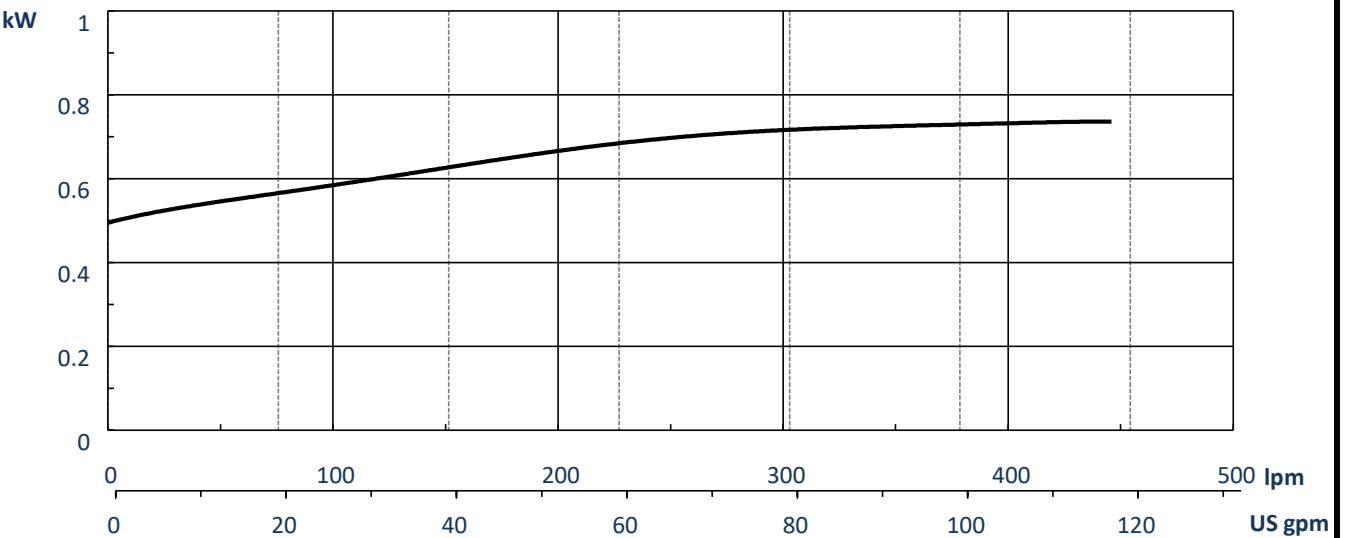
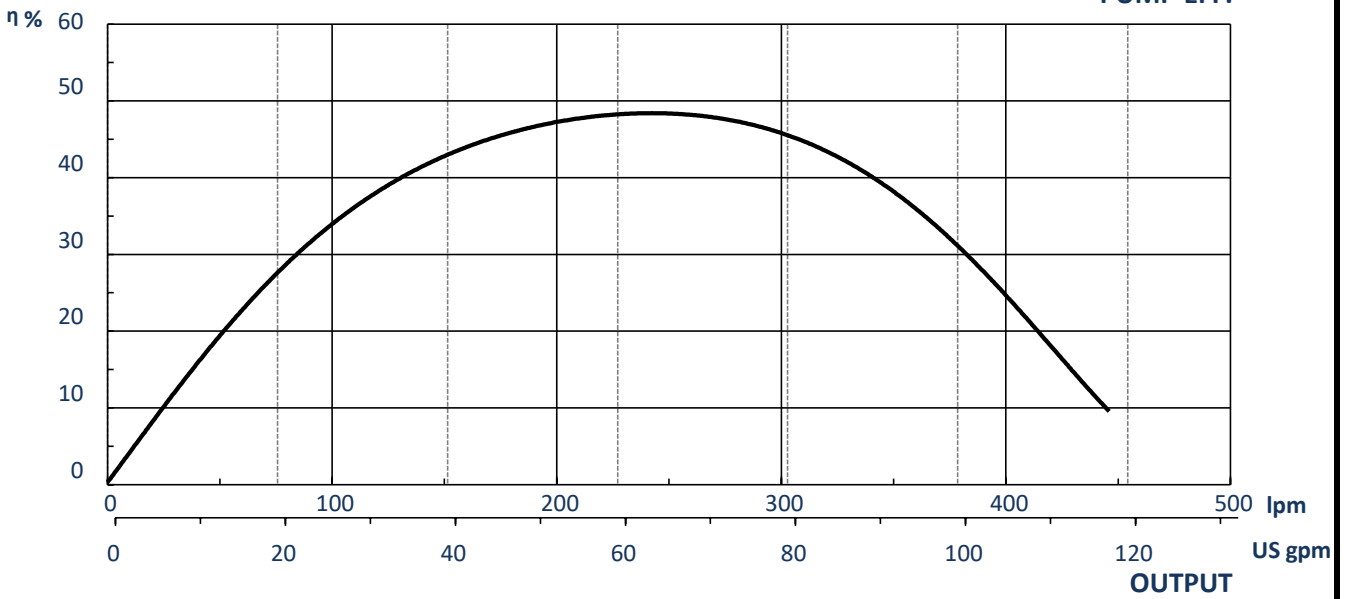
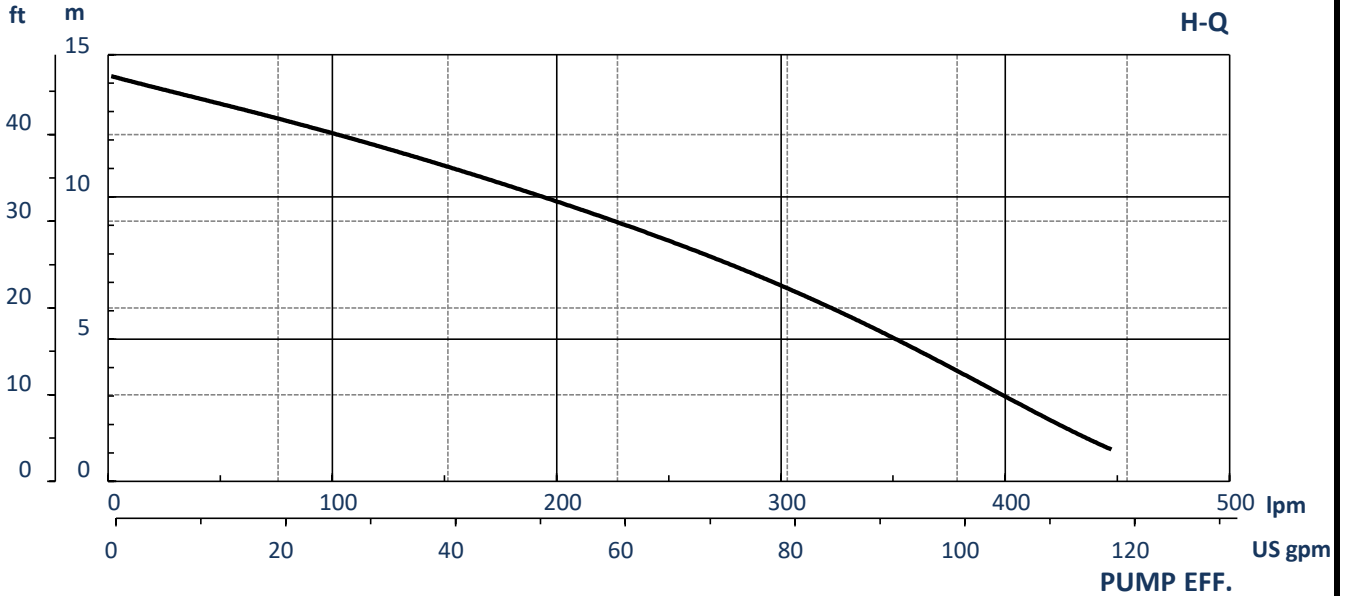
MODEL	OUTPUT		DISCHARGE INCHES	PHASE VOLTAGE	3Ø			FREE PASSAGE	WEIGHT W/O CABLE
	HP	KW			208V	230V	460V	INCHES	LBS
BT50/3	0.5	0.37	2	FULL LOAD AMPS	3.1A	2.8A	1.4A	1.4	28
BT100/3	1	0.75	2		4.4A	4A	2A	1.4	35
BT200/3	2	1.5	2 (3)		7.7A	7A	3.5A	1.8	65
BT300/3	3	2.2	2 (3)		8.8A	8A	4.5A	1.8	69
BT500/3	4	3.7	3 (4)		16.6A	15A	8A	1.8	106
BT750/3	5	5.5	3 (4)		23.2A	21A	10.5A	1.8	119

MOTOR / PUMP CONSTRUCTION MATERIAL

PART	MATERIAL	PART	MATERIAL
Cable	H07RN-F/STJOW/STOW	Mechanical Seal	Upper: CA / CE
Handle	Nylon 6(0.5-1HP) AISI 316 (2-7.5HP)	Mechanical Seal	Lower: SIC / SIC
Motor Cover	AISI 316	Seal Housing	AISI 316
Bracket	ASTM A48 Class 30	Lip Seal	VITON
Motor Housing + Stator	AISI 316	Impeller	AISI 316
Shaft with Rotor	AISI 316	Pump Casing	AISI 316
Oil Chamber	ASTM A48 Class 30(0.5-1HP) AISI 316(2-7.5HP)	Upper/Lower Bearing	NTN/TPI

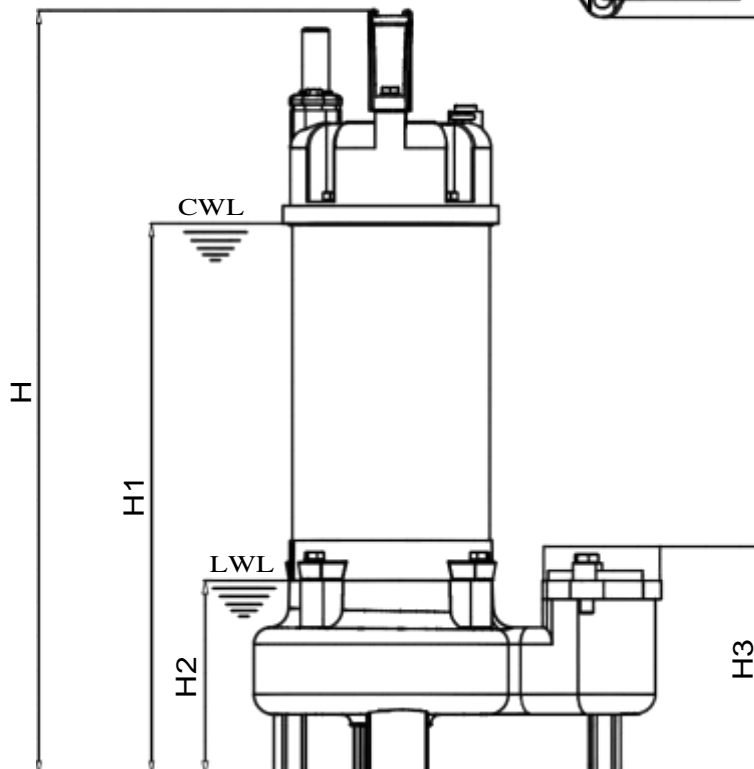
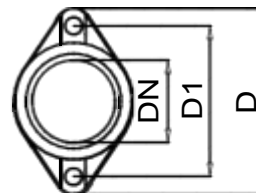
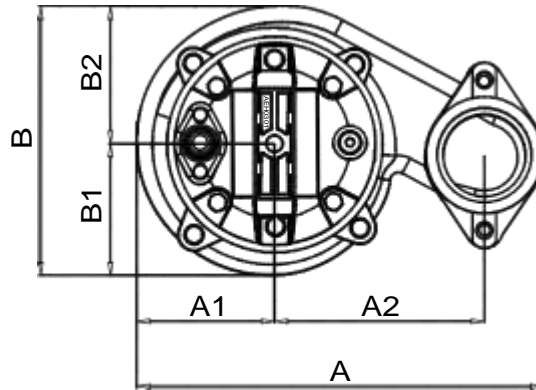
PUMP PERFORMANCE REPORT

MODEL	BT100	HEAD	RATED
FREQUENCY	60 HZ	CAPACITY	30 ft / 9 m
DISCHARGE	2 inches / 50 mm	POLE / RPM	60 gpm / 227 lpm
OUTPUT	1 hp / 0.75 kW		2 poles / 3450 rpm



DIMENSIONAL DRAWING

MODELS: BT50 – BT100 (0.5~1HP)



MODEL	A	A1	A2	B	B1	B2	D	D1	DN	H	H1	H2	H3	WT	
BT50	8.98	2.95	4.72	5.91	2.76	3.15	4.33	3.54	2	16.73	11.69	4.61	5.43	S:28.6	T:27.3
BT100	8.98	2.95	4.72	5.91	2.76	3.15	4.33	3.54	2	16.91	12.87	4.61	5.43	S:33.9	T:34.5

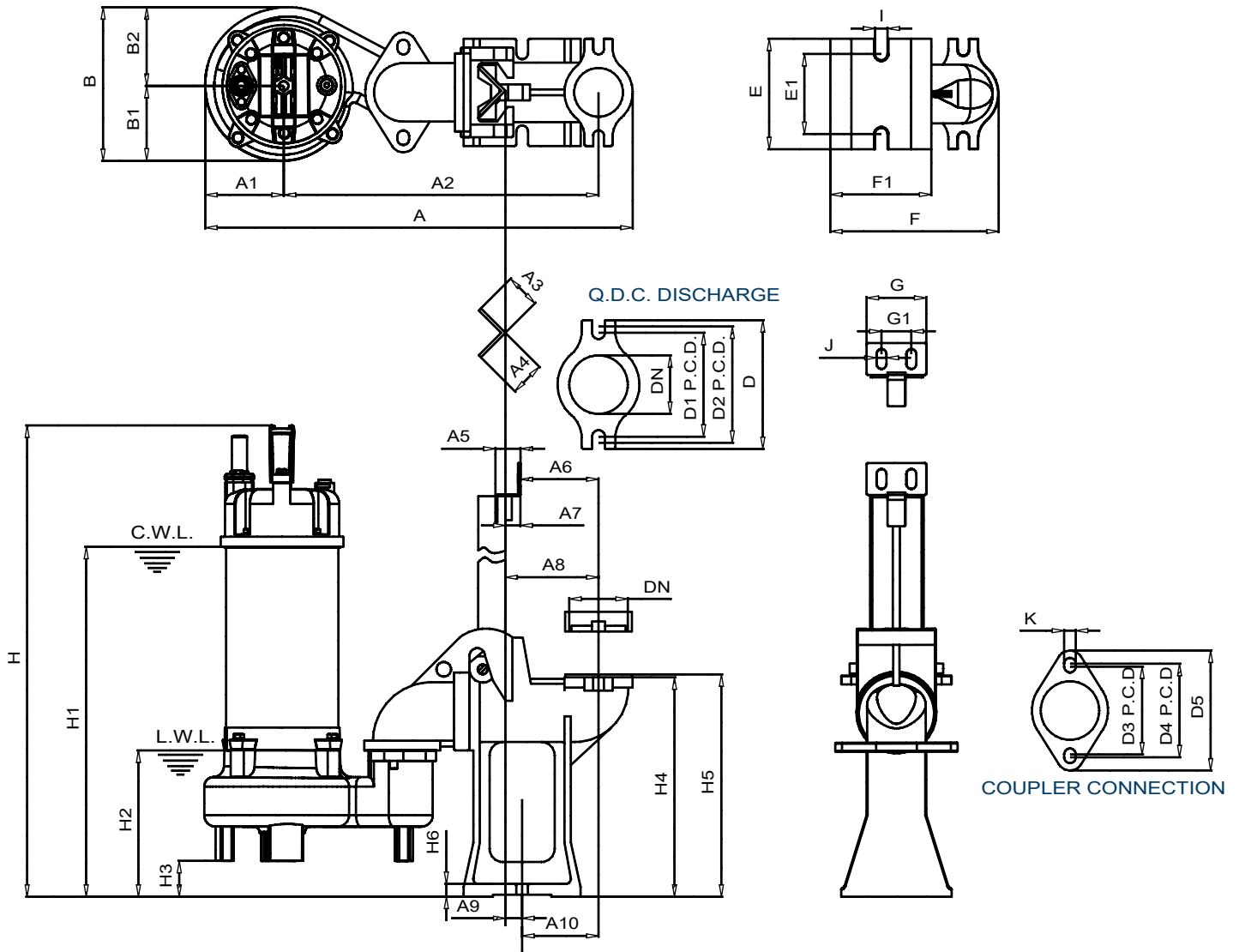
CWL: CONTINUOUS RUNNING WATER LEVEL
 LWL: LOWEST RUNNING WATER LEVEL
 WT: WEIGHT WITHOUT CABLE
 S: SINGLE PHASE T: THREE PHASE

DIMENSIONS: INCHES
 WEIGHT: LBS
 PIPE CONNECTION TYPE: NPT

DIMENSIONAL DRAWING

MODELS : BT50~BT100(0.5~1HP)

Quick Discharge Connection



DIMENSION : inch
WEIGHT : lb

PIPE CONNECTION TYPE

PT **NPT**

MODEL	A	A1	A2	A3	A4	A5	A6	A7	A8	A9	A10	B	B1	B2	D	D1	D2	D3	D4	D5	DN
BT50	16.34	2.95	12.36	1.57	1.57	1.46	3.07	0.59	3.74	0.67	3.07	5.91	2.76	3.15	4.33	3.31	3.54	3.54	3.86	4.8	2
BT100	16.34	2.95	12.36	1.57	1.57	1.46	3.07	0.59	3.74	0.67	3.07	5.91	2.76	3.15	4.33	3.31	3.54	3.54	3.86	4.8	2

MODEL	E	E1	F	F1	G	G1	H	H1	H2	H3	H4	H5	H6	I	J	K	WT	WT1	
BT50	4.33	3.15	4.76	4.21	2.36	1.18	17.52	12.68	5.59	1.04	8.9	8.98	0.35	0.51	0.39	0.45	S:28.6	T:27.3	14.08
BT100	4.33	3.15	4.76	4.21	2.36	1.18	18.70	13.86	5.59	1.04	8.9	8.98	0.35	0.51	0.39	0.45	S:33.9	T:34.5	14.08

C.W.L.:Continuous Running Water Level

L.W.L.:Lowest Running Water Level

WT: Pump Weight Without Cable

S: Single Phase ; T: Three Phase

WT1: Q.D.C. Weight