

## MOTOR / PUMP SPECIFICATIONS

ITEM		DESCRIPTION
LIMITS	Liquid Temp	0-40°C
	Application	Commercial / Industrial / Municipal use
TYPE	Frequency	60Hz
	Motor	2P (3450RPM) Dry Motor
	Insulation	Class B
	Start Method	Direct On Line
	Protection	IP 68
	Protector	Auto-Cut
	Bearing	Ball Type
	Mech. Seal	Dual. Mechanical Seal
	Impeller	Vortex Impeller
	MATERIAL	Motor Cover
Motor Housing+Stator		AISI 316
Shaft with Rotor		AISI 316
Mech. Seal		Upper: CA/CE; Lower: SIC/SIC
Pump Casing		AISI 316
Impeller		AISI 316
Cable		H07RN-F / SJTOW / STOW



## MOTOR / PUMP DATA CHART

MODEL	OUTPUT		DISCHARGE INCHES	PHASE VOLTAGE	1Ø			FREE PASSAGE	WEIGHT W/O CABLE
	HP	KW			115V	208V	230V	INCHES	LBS
BT50/1	0.5	0.37	2	FULL LOAD AMPS	8A	4.4A	4A	1.4	29
BT100/1	1	0.75	2		12A	6.6A	6A	1.4	35
BT200/1	2	1.5	2 ( 3 )		-	12.2A	11A	1.8	69
BT300/1	3	2.2	2 ( 3 )		-	12.2A	11A	1.8	72

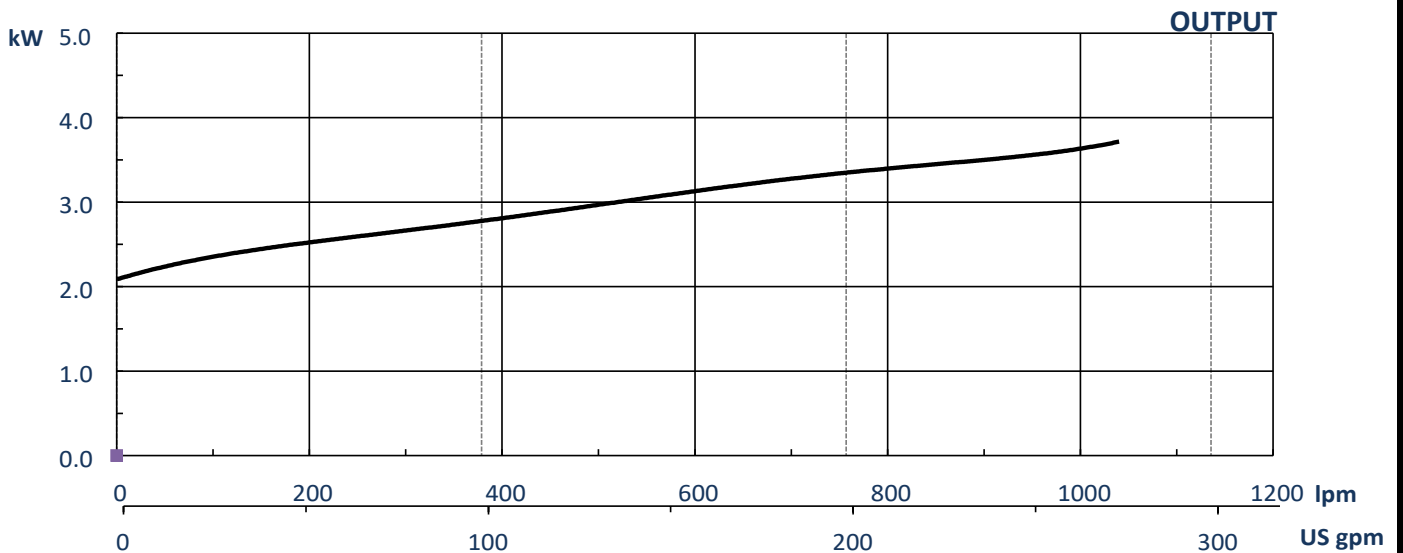
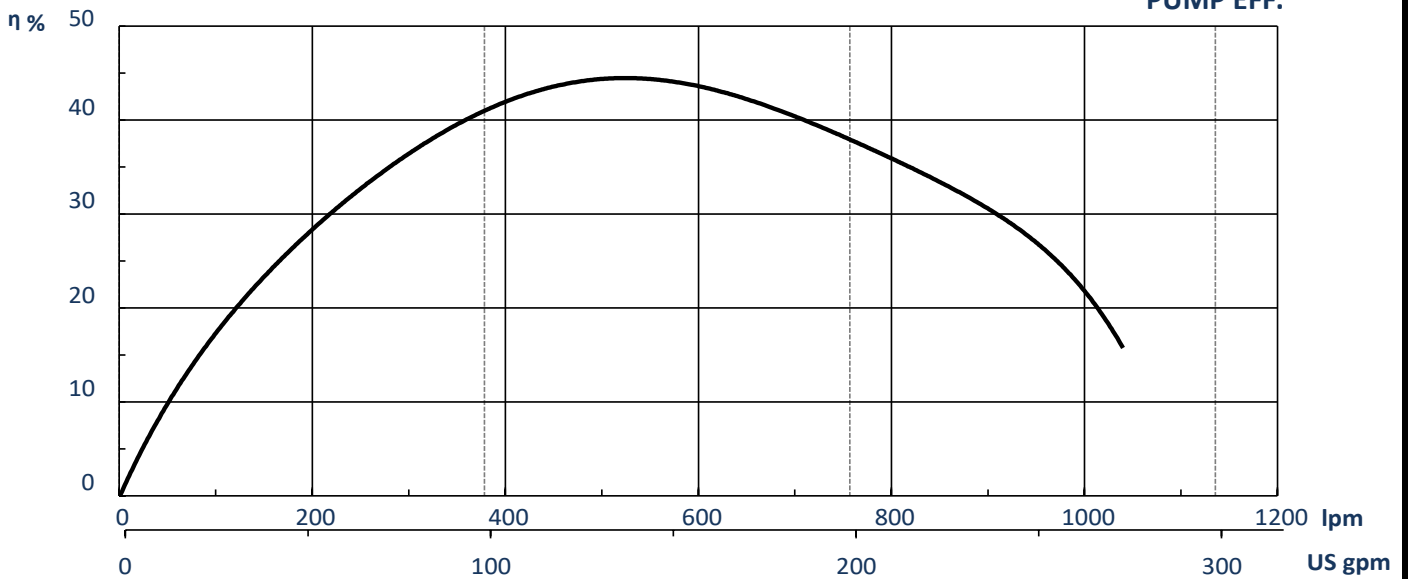
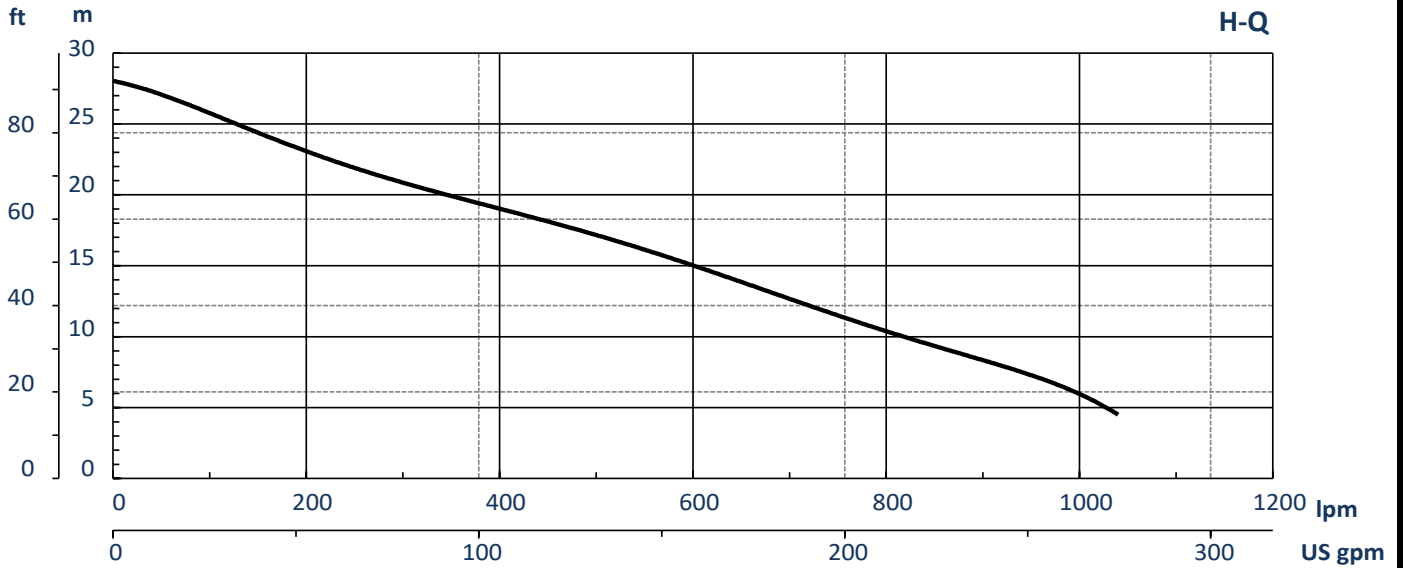
MODEL	OUTPUT		DISCHARGE INCHES	PHASE VOLTAGE	3Ø			FREE PASSAGE	WEIGHT W/O CABLE
	HP	KW			208V	230V	460V	INCHES	LBS
BT50/3	0.5	0.37	2	FULL LOAD AMPS	3.1A	2.8A	1.4A	1.4	28
BT100/3	1	0.75	2		4.4A	4A	2A	1.4	35
BT200/3	2	1.5	2 ( 3 )		7.7A	7A	3.5A	1.8	65
BT300/3	3	2.2	2 ( 3 )		8.8A	8A	4.5A	1.8	69
BT500/3	4	3.7	3 ( 4 )		16.6A	15A	8A	1.8	106
BT750/3	5	5.5	3 ( 4 )		23.2A	21A	10.5A	1.8	119

## MOTOR / PUMP CONSTRUCTION MATERIAL

PART	MATERIAL	PART	MATERIAL
Cable	H07RN-F/STJOW/STOW	Mechanical Seal	Upper: CA / CE
Handle	Nylon 6(0.5-1HP) AISI 316 (2-7.5HP)	Mechanical Seal	Lower: SIC / SIC
Motor Cover	AISI 316	Seal Housing	AISI 316
Bracket	ASTM A48 Class 30	Lip Seal	VITON
Motor Housing + Stator	AISI 316	Impeller	AISI 316
Shaft with Rotor	AISI 316	Pump Casing	AISI 316
Oil Chamber	ASTM A48 Class 30(0.5-1HP) AISI 316(2-7.5HP)	Upper/Lower Bearing	NTN/TPI

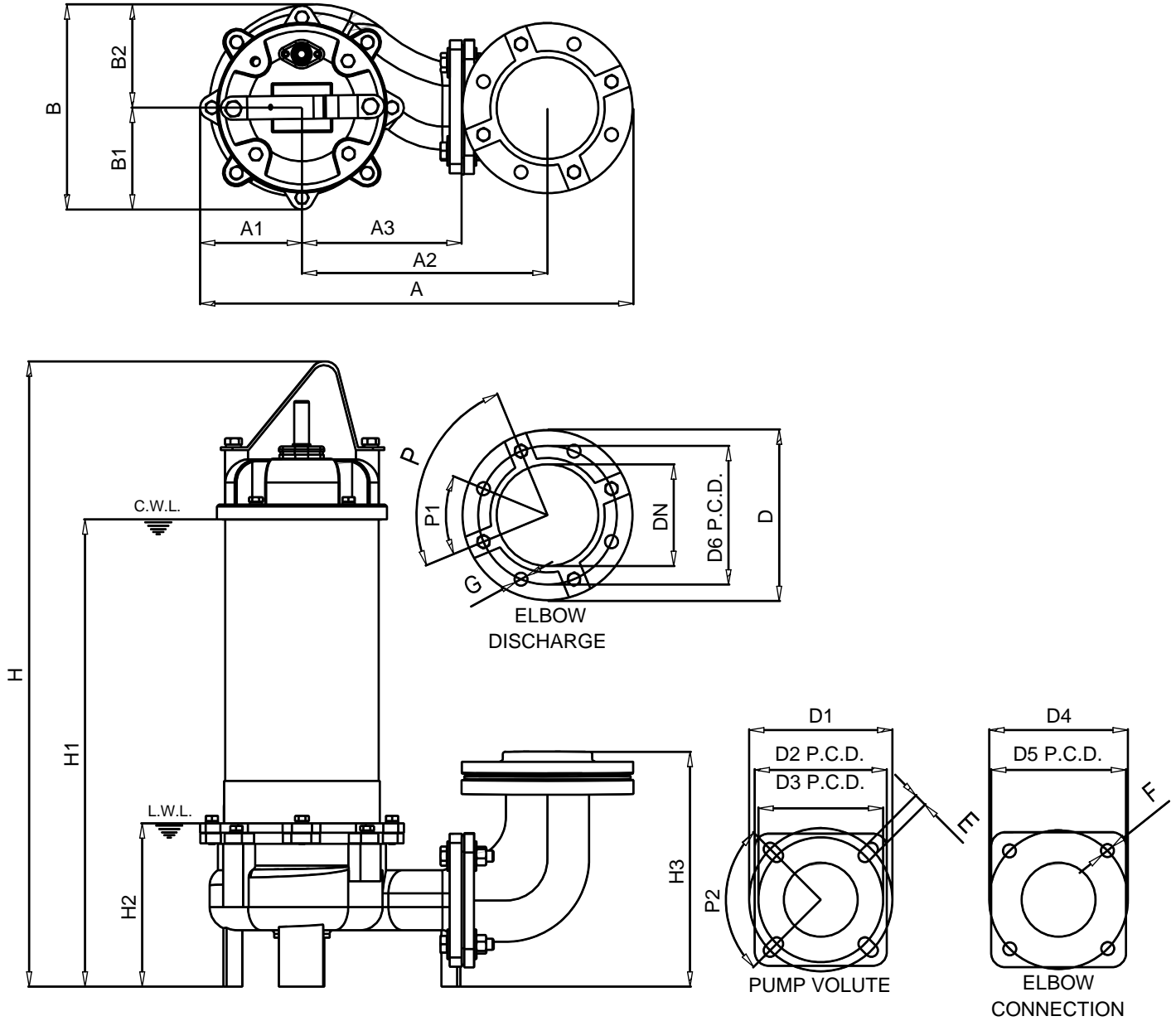
## PUMP PERFORMANCE REPORT

MODEL	BT500		RATED
FREQUENCY	60 HZ	HEAD	55 ft / 16.7 m
DISCHARGE	3 & 4 inches / 80 & 100 mm	CAPACITY	150 gpm / 567 lpm
OUTPUT	5 hp / 3.7 kW	POLE / RPM	2 poles / 3450 rpm



### DIMENSIONAL DRAWING

MODELS: BT500~BT750 (5~7.5HP)



MODEL	A	A1	A2	A3	B	B1	B2	D	D1	D2	D3	D4	D5
BT500	18.35	3.94	10.79	6.97	8.27	3.74	4.53	7.24	5.63	6.10	5.31	5.51	5.91
BT750	18.35	3.94	10.79	6.97	8.27	3.74	4.53	7.24	5.63	6.10	5.31	5.51	5.91

MODEL	D6	DN	E	F	G	P	P1	P2	H	H1	H2	H3	WT
BT500	5.91	3 / 4	0.55	0.55	0.55	90°	45°	90°	24.92	18.43	6.30	8.86	106
BT750	5.91	3 / 4	0.55	0.55	0.55	90°	45°	90°	26.50	20.00	6.30	8.86	119

**CWL: CONTINOUS RUNNING WATER LEVEL**  
**LWL: LOWEST RUNNING WATER LEVEL**  
**WT: WEIGHT WITHOUT CABLE**

**DIMENSIONS: INCHES**  
**WEIGHT: LBS**