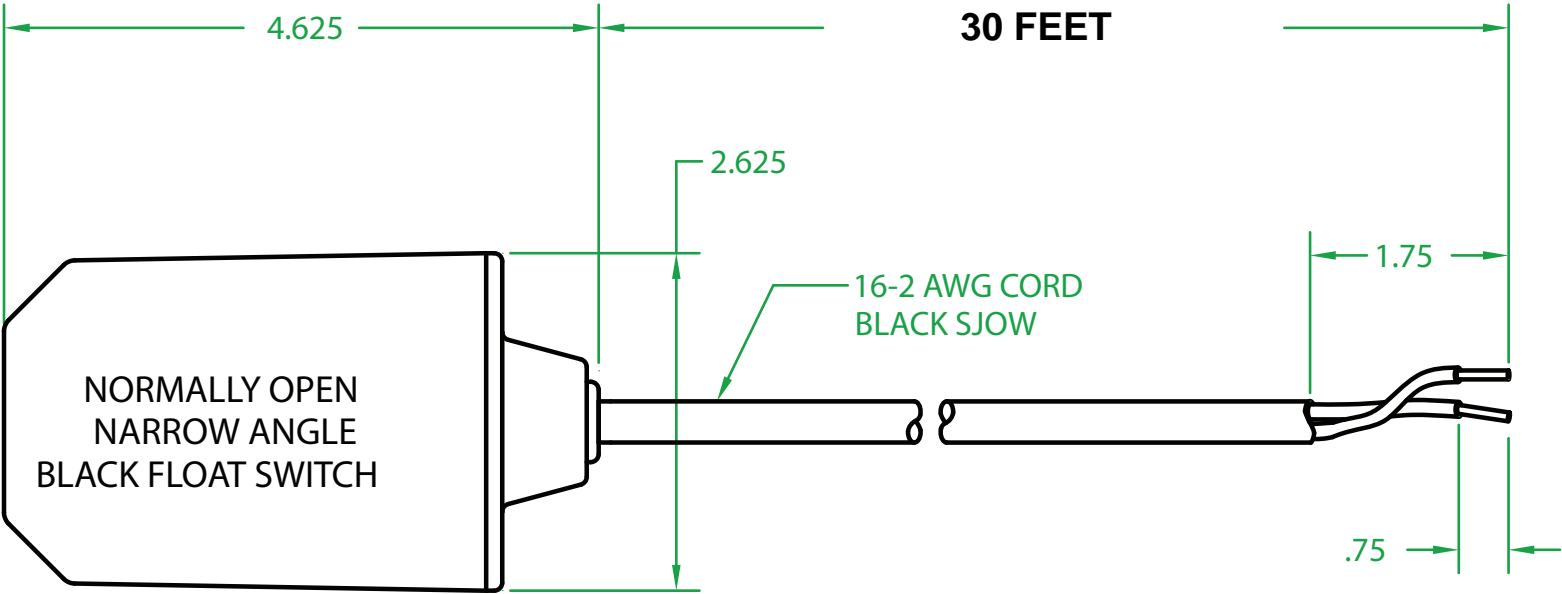


# Internally Weighted Float Specifications



OPERATING ANGLE: TETHERLESS/INTERNALLY WEIGHTED  
CONTACTS CLOSE @ 25° ABOVE HORIZONTAL.  
CONTACTS OPEN @ 10° BELOW HORIZONTAL.

SWITCHING DIFFERENTIAL: 3.50"

ELECTRICAL RATINGS: 1/4 H.P. 10 AMPS @ 120/240 VAC. 34.8 LRA

FLOAT MATERIAL: A.B.S.



Specifications subject to change without notice